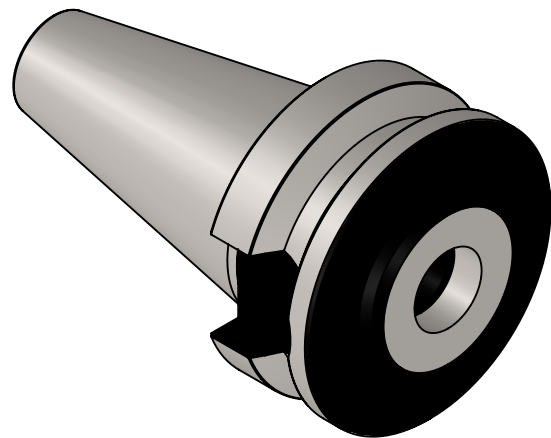
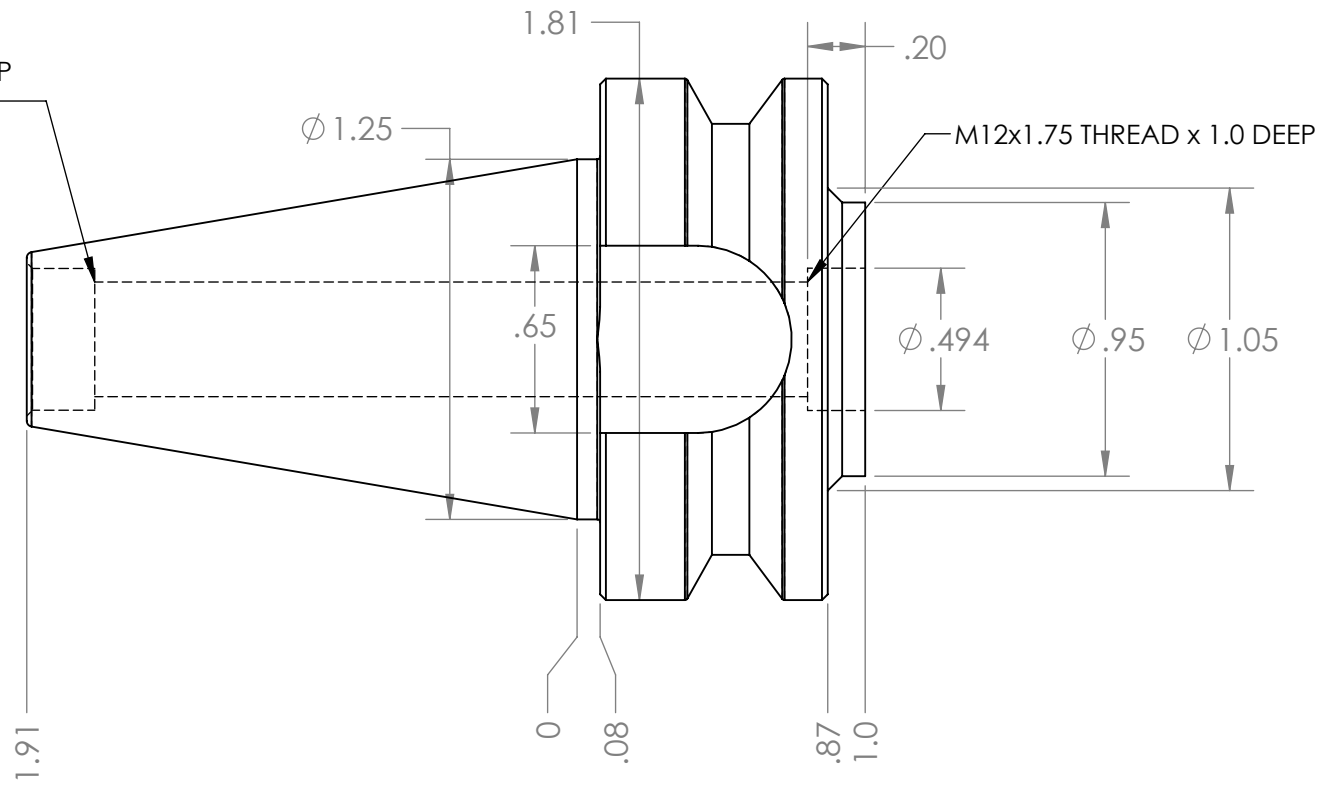


M12x1.75 THREAD x 1.00 DEEP
 C'BORE DIA .492 x .236 DEEP



NOTES:
 ACCEPTS M12 X 1.75 THREADED BODIES
 FOR MORE PRODUCT DETAILS PLEASE GO TO MARITOO.COM
 AND SEARCH ITEM # LISTED ON THIS PRINT

MARITOO

WWW.MARITOO.COM

ITEM# **BT30 TB12-1.0**

Made in USA