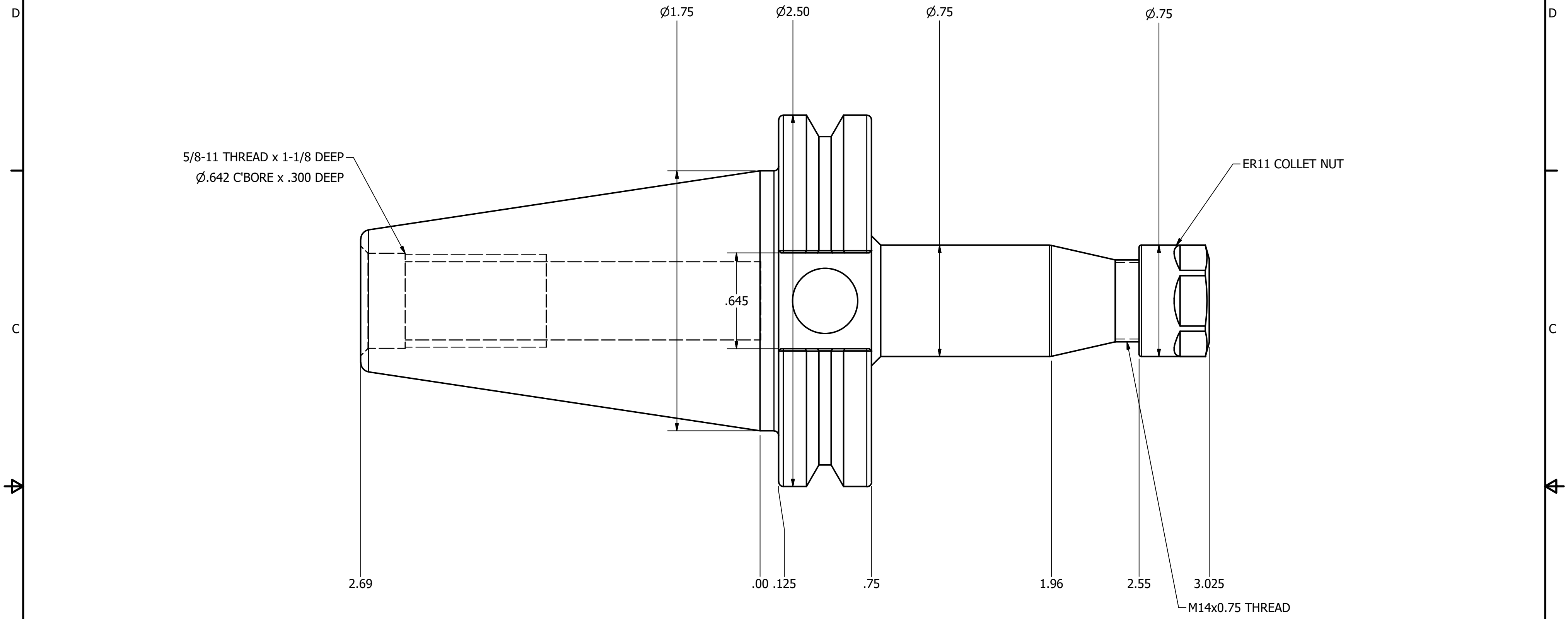


4 3 2 1



NOTES:
 TAKES ALL ER11 COLLETS FROM .039"-.3125"
 USES WRENCH PART #ER11-WRENCH (NOT INCLUDED)
 FOR MORE PRODUCT DETAILS PLEASE GO TO MARITOO.COM
 AND SEARCH ITEM # LISTED ON THIS PRINT

MARITOOOL	
www.maritool.com	
ITEM#	CAT40-ER11-3.0
Made in USA	

4 3 2 1