

5/8-11 THREAD x 1-1/8 DEEP
 Ø .642 C'BORE DIA .300 DEEP

Ø 1.75

Ø 2.50

Ø 1.19

.645

Ø .375

Ø .71

2.70

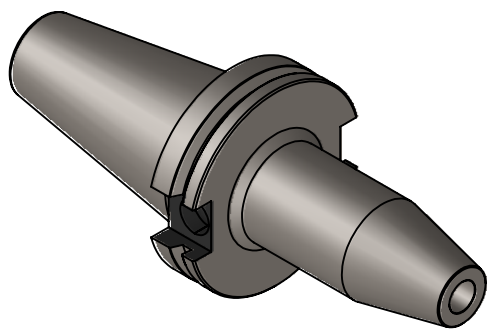
0

.125

.75

2.32

3.50



NOTES:
 WORKS ON ALL CAT40 MACHINES
 FOR MORE PRODUCT DETAILS PLEASE GO TO MARITOO.COM
 AND SEARCH ITEM # LISTED ON THIS PRINT

MARITOO

WWW.MARITOO.COM

ITEM# **CAT40 SF .375-3.5**

Made in USA