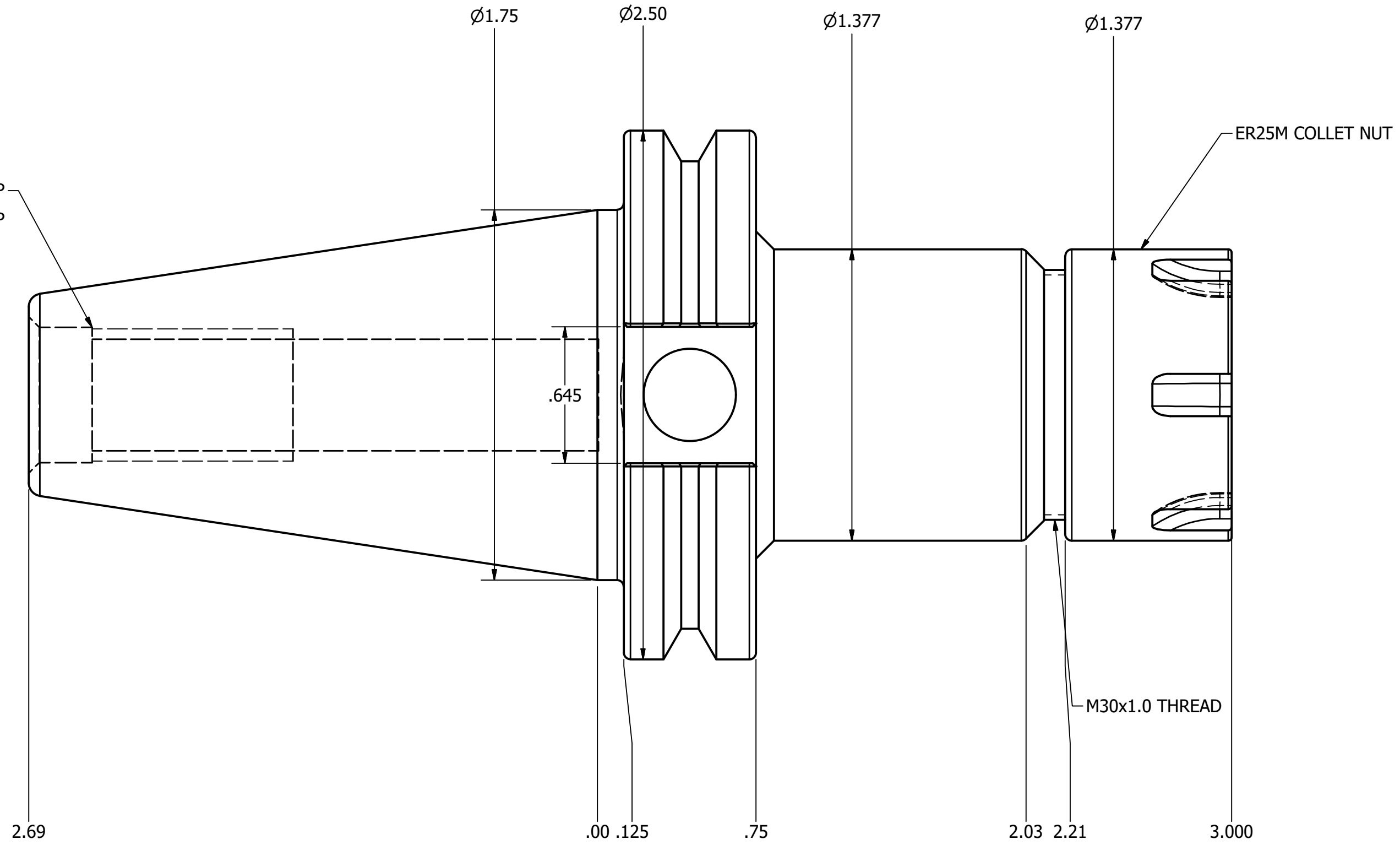


5/8-11 THREAD x 1-1/8 DEEP
 Ø.642 C'BORE x .300 DEEP



NOTES:
 TAKES ALL ER25 COLLETS FROM .024"-.6875"
 USES WRENCH PART #ER25M-WRENCH (NOT INCLUDED)
 FOR MORE PRODUCT DETAILS PLEASE GO TO MARITOO.COM
 AND SEARCH ITEM # LISTED ON THIS PRINT

MARITOO

www.maritool.com

ITEM# **CAT40-ER25-3.0M**

Made in USA