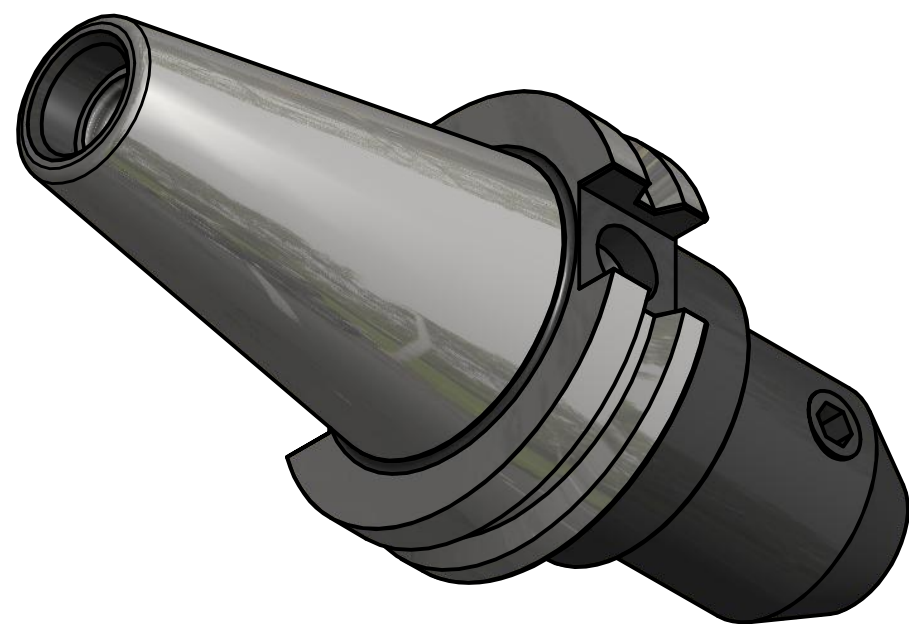
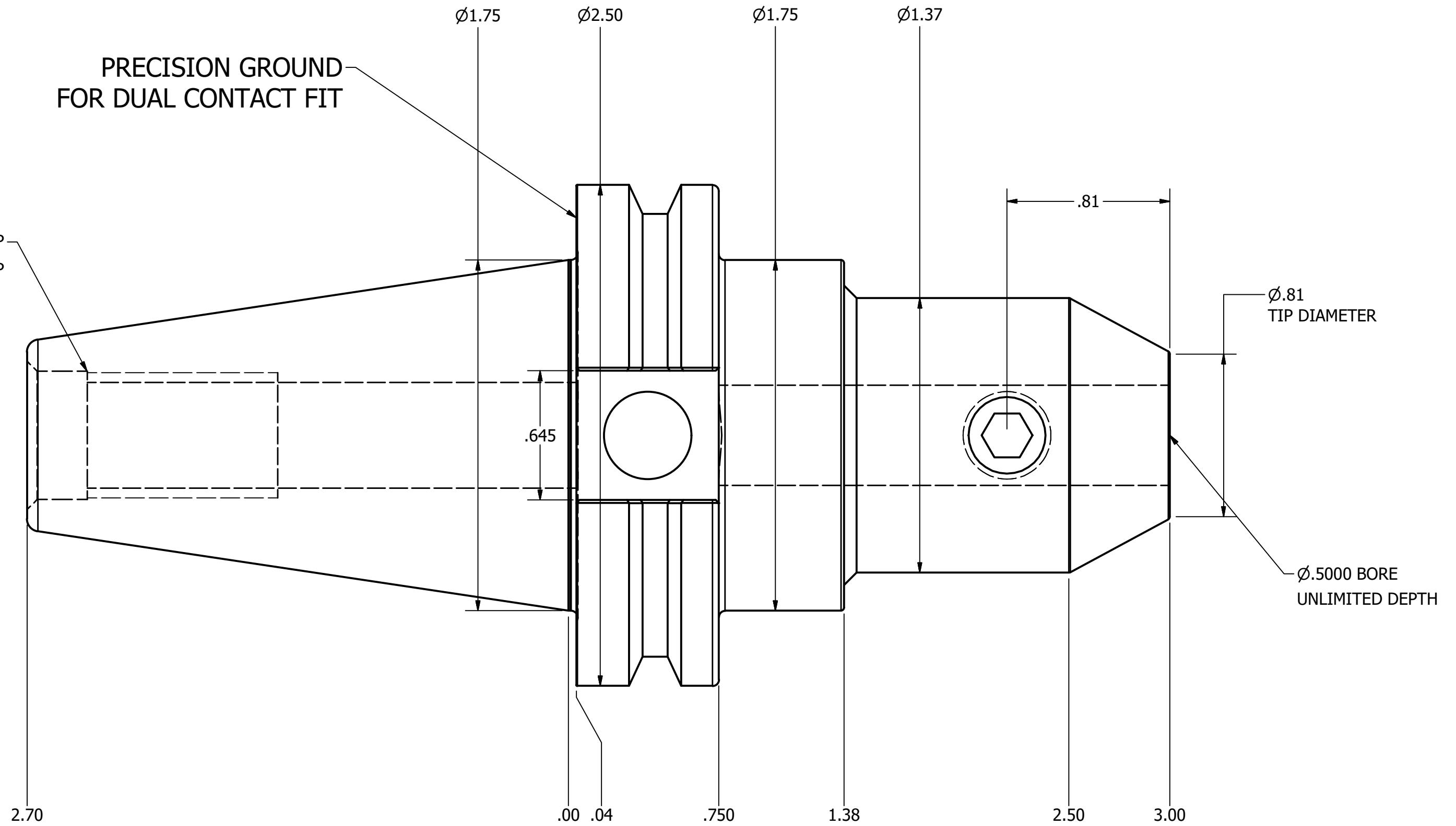


5/8-11 THREAD x 1-1/8 DEEP
 Ø.642 C'BORE x .300 DEEP

PRECISION GROUND
 FOR DUAL CONTACT FIT



NOTES:
 WORKS ON ALL CAT40 MACHINES WITH DUAL CONTACT SPINDLES
 COMPATIBLE WITH BIG-PLUS® SPINDLES
 HOLDER USES 7/16-20 SET SCREW, PART #SS200
 FOR MORE PRODUCT DETAILS PLEASE GO TO MARITOO.COM
 AND SEARCH ITEM # LISTED ON THIS PRINT

MARITOO

www.maritool.com

ITEM# **CAT40-EM.500-3.0D**

Made in USA