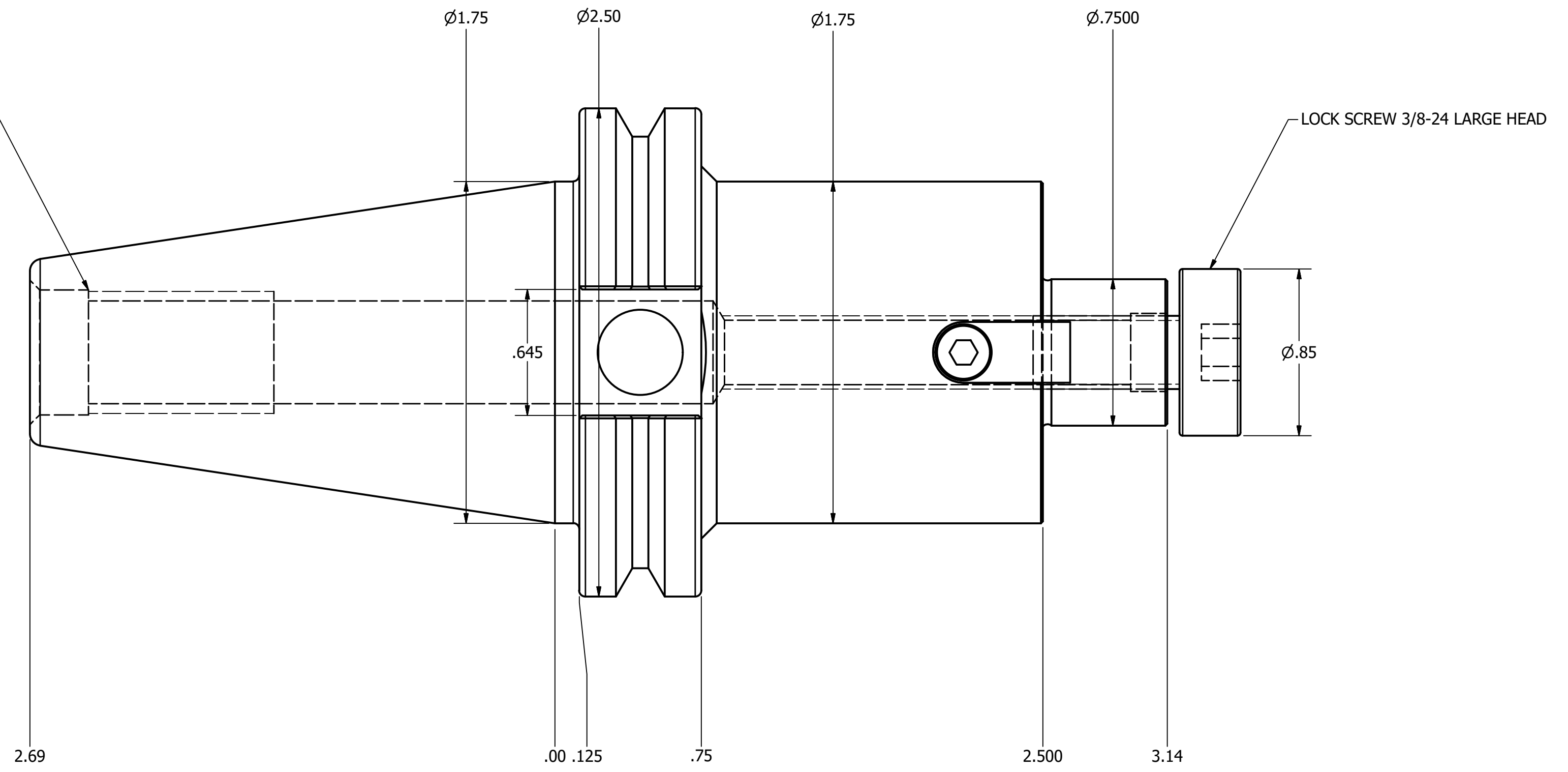


5/8-11 THREAD x 1-1/8 DEEP  
 Ø.642 C'BORE x .300 DEEP



NOTES:  
 HOLDER USES LOCK SCREW 3/8-24 LARGE HEAD  
 AND STANDARD 3/8-24 x 1.0 SHCS (INCLUDED)  
 FOR MORE PRODUCT DETAILS PLEASE GO TO MARITOO.COM  
 AND SEARCH ITEM # LISTED ON THIS PRINT

<b>MARITOO</b>	
www.maritool.com	
ITEM#	<b>CAT40-FMA.750-2.5</b>
Made in USA	