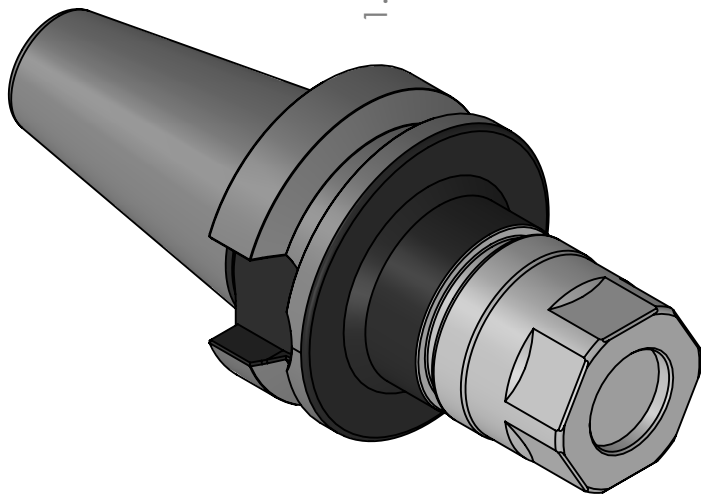
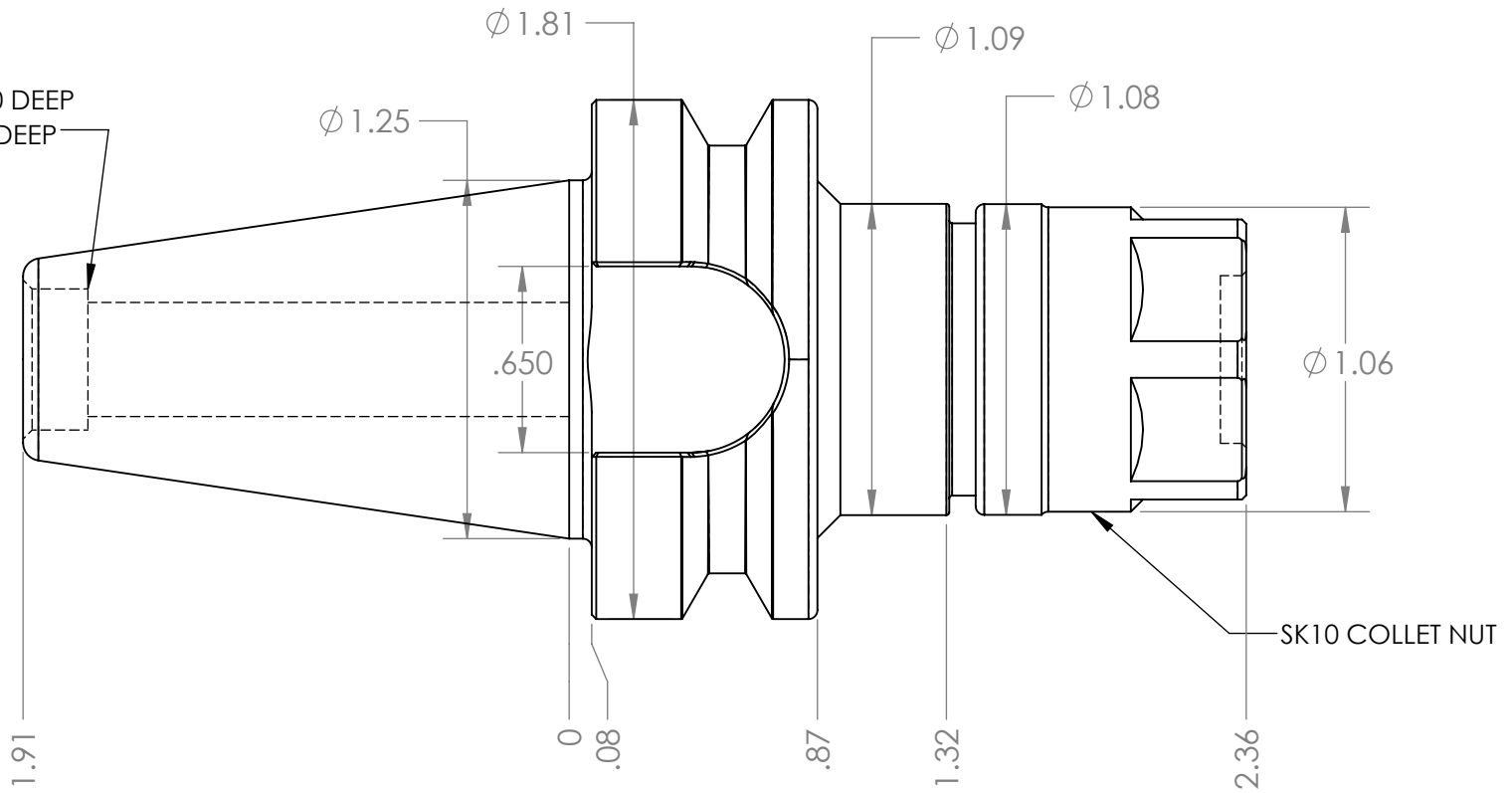


M12x1.75 THREAD x 1.00 DEEP
C'BORE DIA .492 x .236 DEEP



NOTES:
ACCEPTS ALL SK10 COLLETS
USES WRENCH PART #ER16-WRENCH (NOT INCLUDED)
FOR MORE PRODUCT DETAILS PLEASE GO TO MARITOO.COM
AND SEARCH ITEM # LISTED ON THIS PRINT

MARITOO

WWW.MARITOO.COM

ITEM# **BT30-SK10-60**

Made in USA