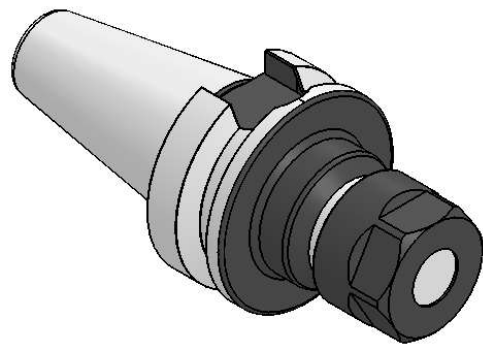
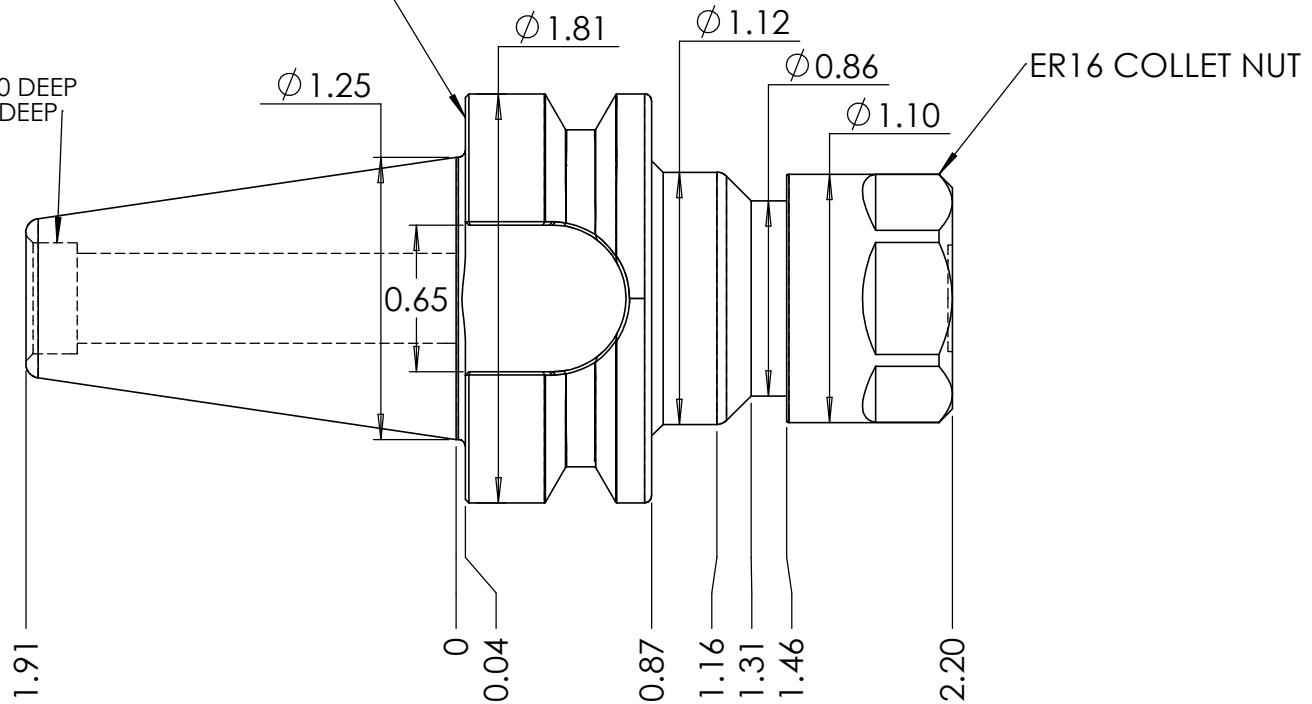


M12x1.75 THREAD X 1.00 DEEP  
C'BORE DIA .492 x .236 DEEP

PRECISION GROUND  
FOR DUAL CONTACT FIT



NOTES:  
WORKS ON ALL BT30 MACHINES WITH DUAL CONTACT SPINDLES  
COMPATIBLE WITH BIG-PLUS® SPINDLES  
TAKES ALL ER16 COLLETS FROM .039"-.4375"  
USES WRENCH PART #ER16-WRENCH (NOT INCLUDED)  
FOR MORE PRODUCT DETAILS PLEASE GO TO MARITOO.COM  
AND SEARCH ITEM # LISTED ON THIS PRINT

**MARITOO**

WWW.MARITOO.COM

ITEM# **BT30 ER16-60-D**

Made in USA