

5/8-11 THREAD x 1-1/8 DEEP  
C'BORE DIA .642 x .300 DEEP

PRECISION GROUND  
FOR DUAL CONTACT FIT

$\phi 1.75$

$\phi 2.50$

$\phi 1.22$

M16x2.0 THREAD x 1.06 DEEP

.65

$\phi .67$

$\phi 1.22$

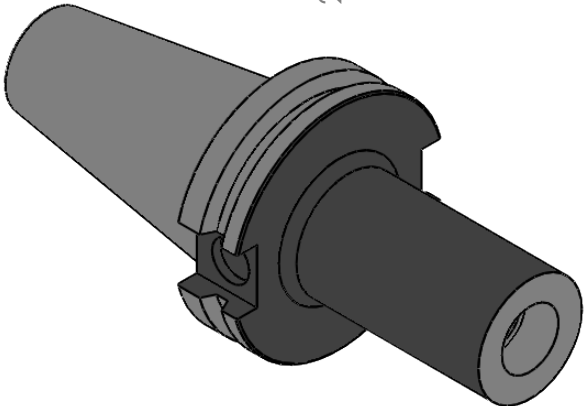
2.70

0

.04

.75

3.0



NOTES:  
WORKS ON ALL CAT40 MACHINES WITH DUAL CONTACT SPINDLES  
COMPATIBLE WITH BIG-PLUS® SPINDLES  
ACCEPTS M16 X 2.0 THREADED BODIES  
FOR MORE PRODUCT DETAILS PLEASE GO TO MARITOO.COM  
AND SEARCH ITEM # LISTED ON THIS PRINT

**MARITOOOL**

WWW.MARITOOOL.COM

ITEM# **CAT40-TB16-3.0D**

Made in USA