

1

2

3

4

5

6

A

A

B

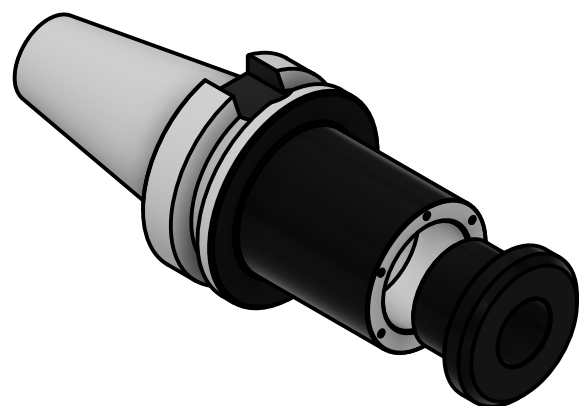
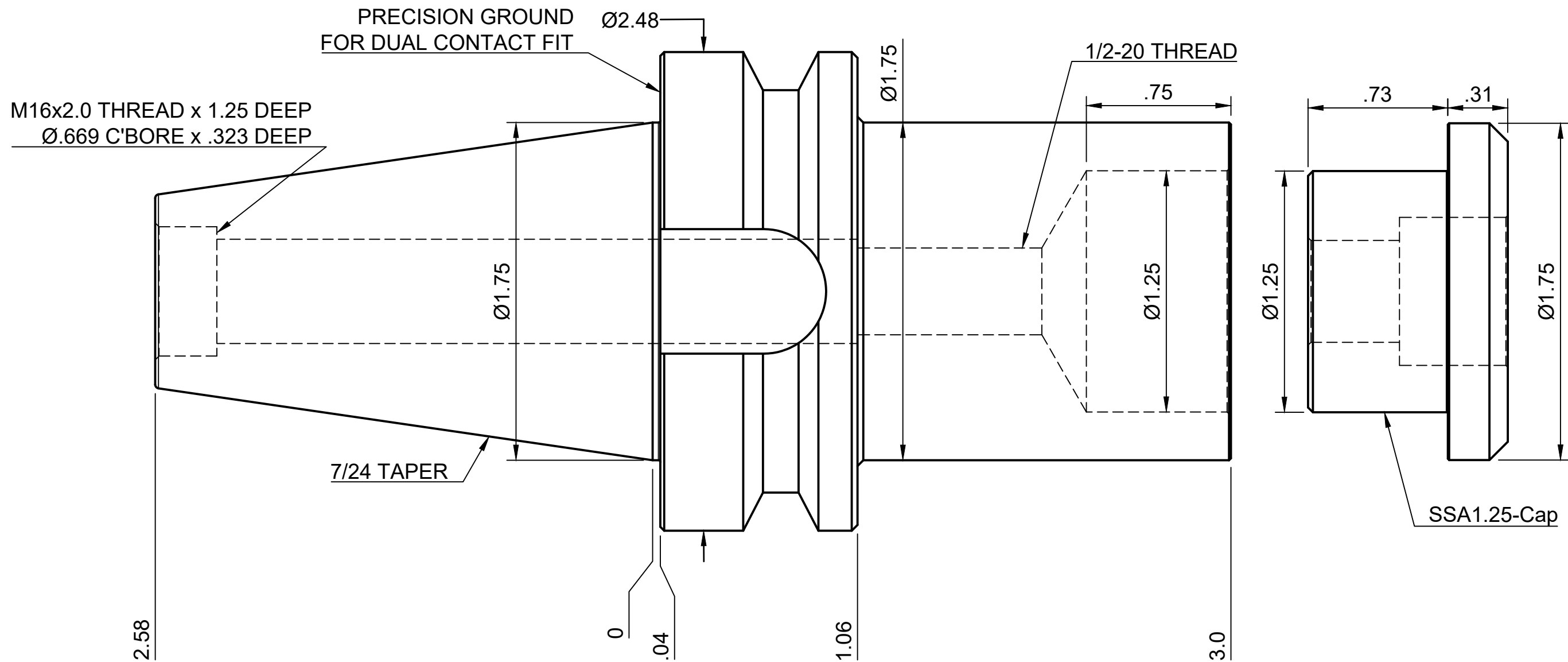
B

C

C

D

D



NOTES:

WORKS ON ALL BT40 MACHINES WITH DUAL CONTACT SPINDLES
 COMPATIBLE WITH BIG-PLUS® SPINDLES
 HOLDER USES LOCK SCREW 1/2-20 x 1-1/4 SHCS (INCLUDED)
 ACCEPTS SAWS WITH Ø1.25 ARBOR HOLE
 FOR MORE PRODUCT DETAILS PLEASE GO TO MARITool.COM
 AND SEARCH ITEM # LISTED ON THIS PRINT

MARITool

www.maritool.com

ITEM# **BT40-SSA1.25-3.0D**

Made In USA / Drawn By FM

1

2

3

4

5

6