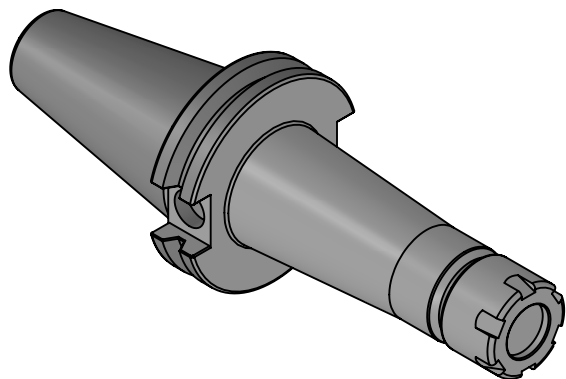
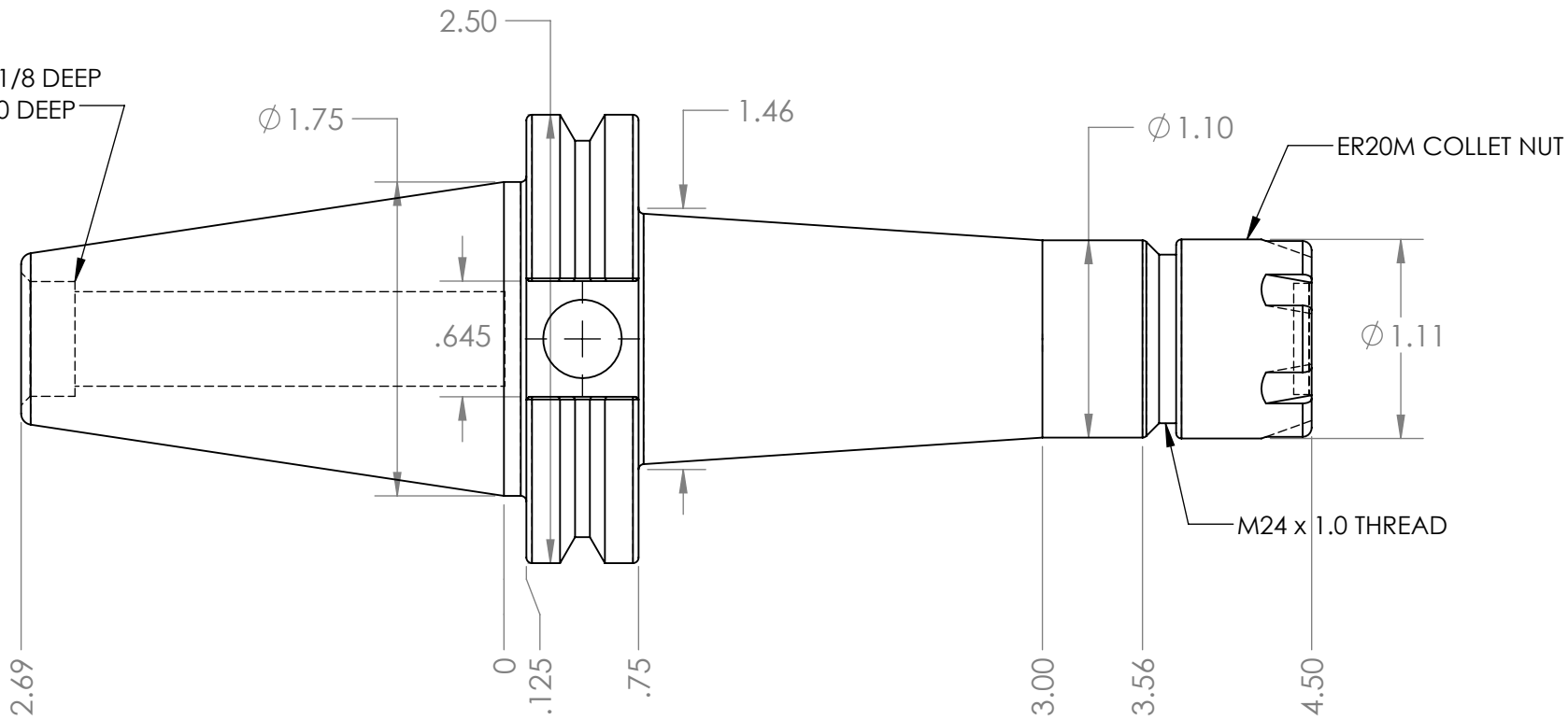


5/8-11 THREAD x 1-1/8 DEEP
Ø.642 C'BORE x .300 DEEP



NOTES:
ACCEPTS ALL ER20 COLLETS
USES WRENCH PART # ER20M-WRENCH (NOT INCLUDED)
FOR MORE PRODUCT DETAILS PLEASE GO TO MARITOO.COM
AND SEARCH ITEM # LISTED ON THIS PRINT

MARITOO

WWW.MARITOO.COM

ITEM# **CAT40-ER20-4.5MT**

Made in USA