

1

2

3

4

5

6

A

A

B

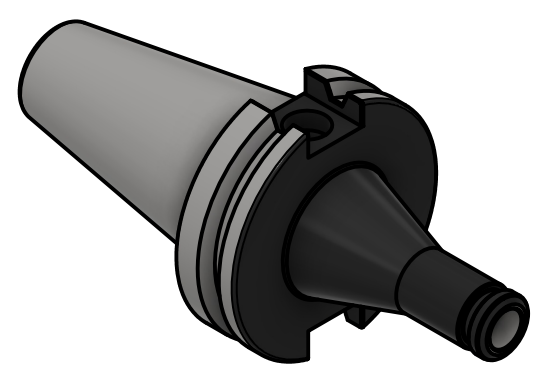
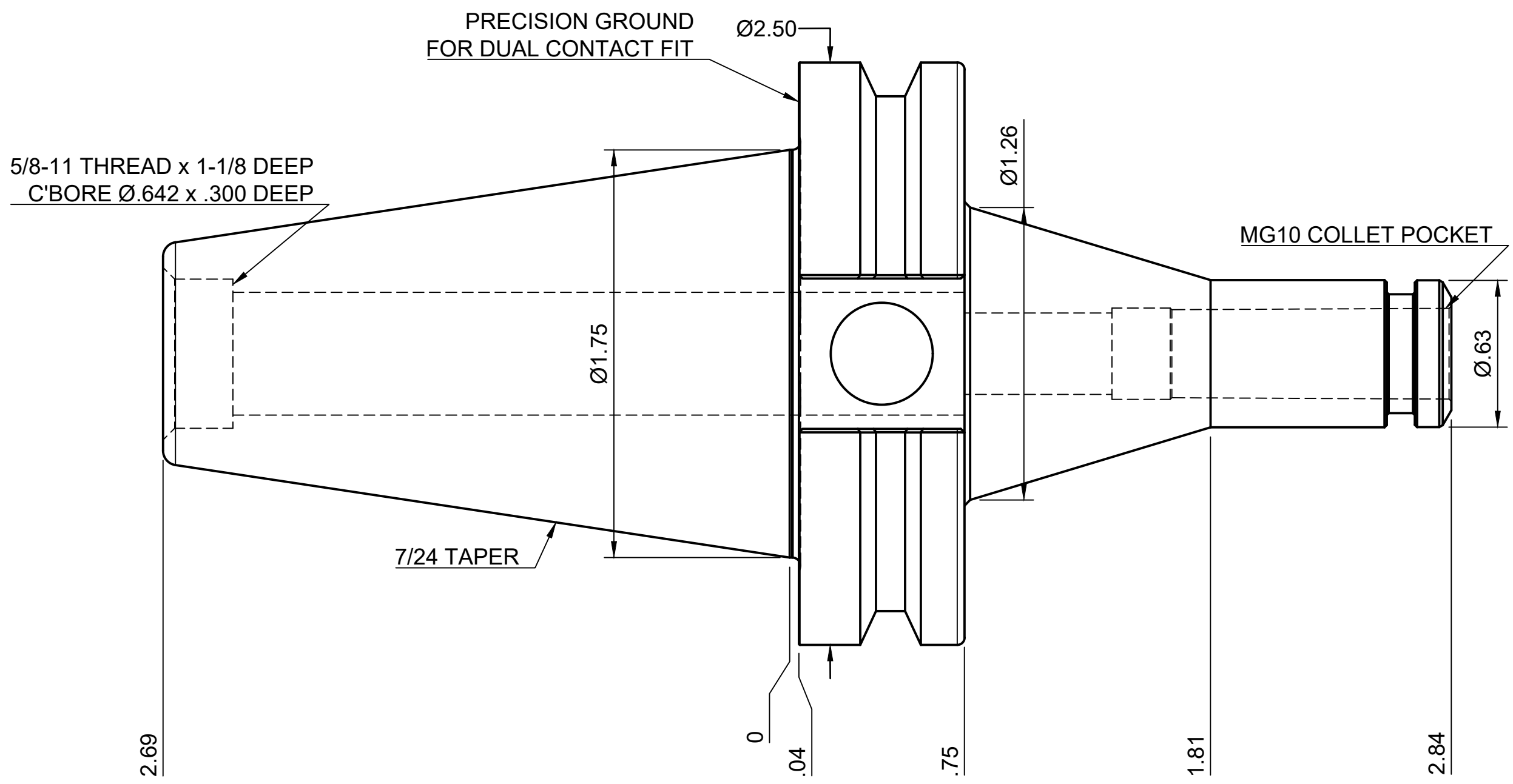
B

C

C

D

D



NOTES:
 WORKS ON ALL CAT40 MACHINES WITH DUAL CONTACT SPINDLES
 COMPATIBLE WITH BIG-PLUS® SPINDLES
 THIS HOLDER ACCEPTS ALL MEGA GRIP 10mm COLLETS
 ALSO COMPATIBLE WITH PG10 COLLETS
 THESE HOLDERS ARE COMPATIBLE WITH THE REGO-FIX *POWRGRIP®
 COLLETS, HYDRAULIC PRESS AND OTHER RELATED ACCESSORIES
 FOR MORE PRODUCT DETAILS PLEASE GO TO MARITOO.COM
 AND SEARCH ITEM # LISTED ON THIS PRINT

| |
|--|
| MARITOO |
| www.maritool.com |
| ITEM# CAT40-MG10-3.0DT |
| Made In USA / Drawn By FM |

1

2

3

4

5

6