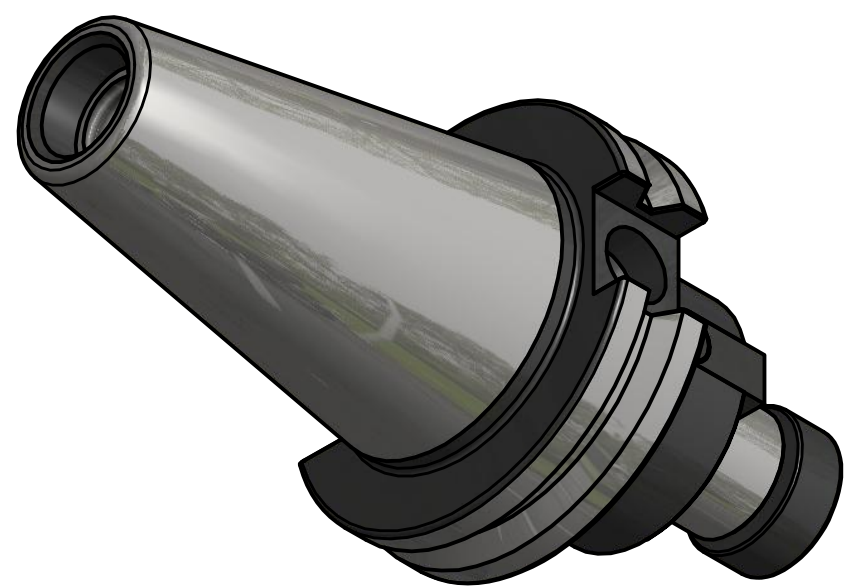
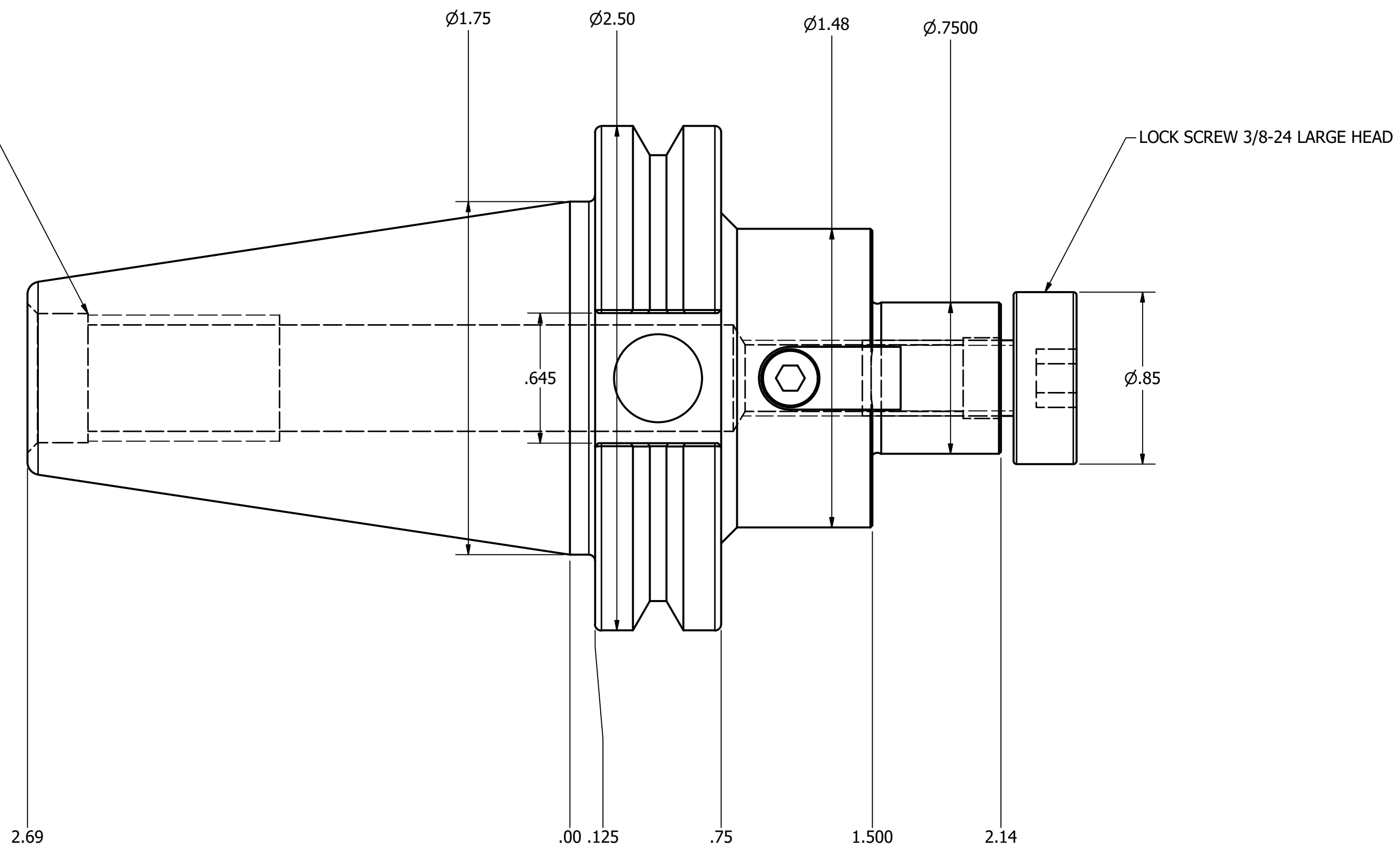


5/8-11 THREAD x 1-1/8 DEEP  
Ø.642 C'BORE x .300 DEEP



NOTES:  
HOLDER USES LOCK SCREW 3/8-24 LARGE HEAD  
AND STANDARD 3/8-24 x 1.0 SHCS (INCLUDED)  
FOR MORE PRODUCT DETAILS PLEASE GO TO MARITOO.COM  
AND SEARCH ITEM # LISTED ON THIS PRINT

**MARITOO**

www.maritool.com

ITEM# **CAT40-FMA.750-1.5M**

Made in USA