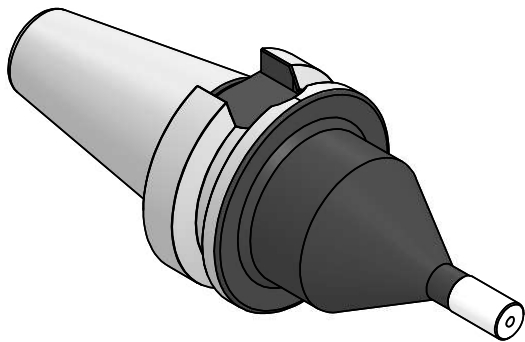
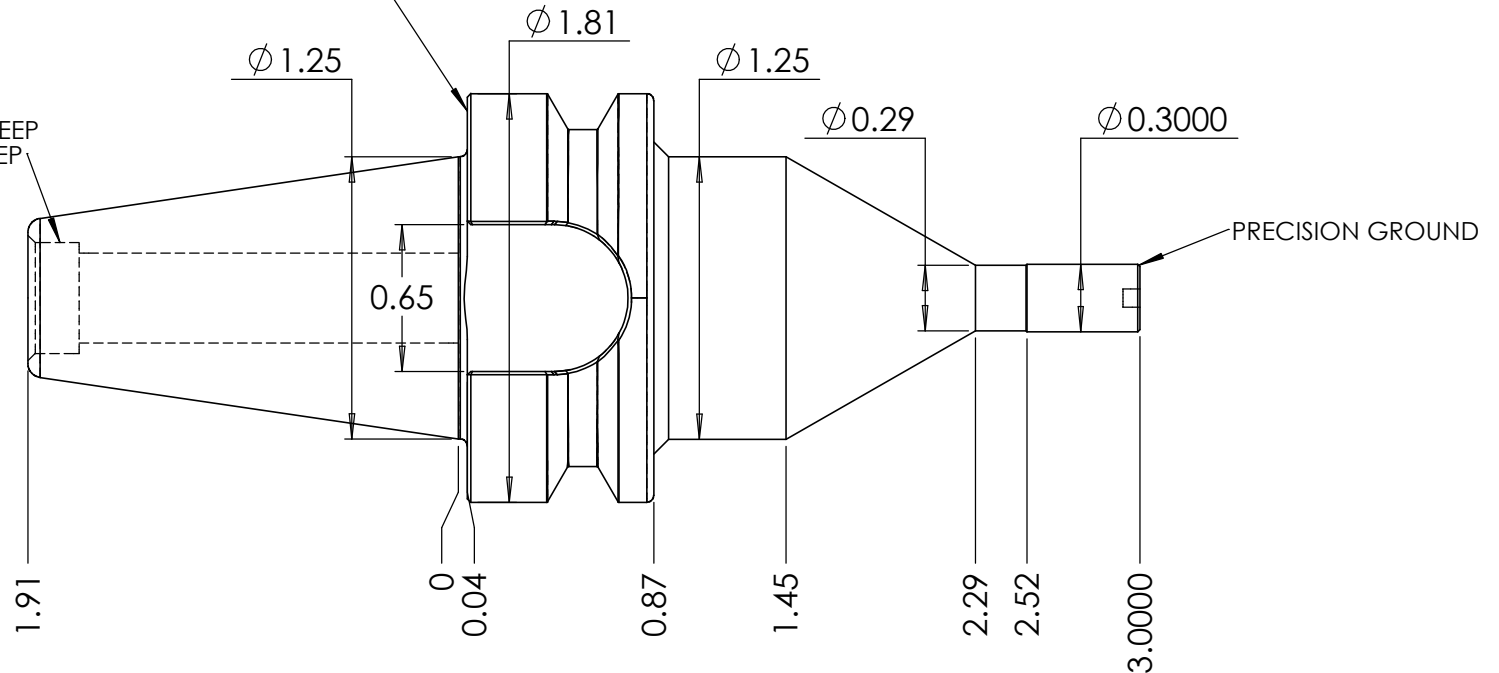


M12x1.75 THREAD x 1.00 DEEP
C'BORE DIA .492 x .236 DEEP

PRECISION GROUND
FOR DUAL CONTACT FIT



NOTES:
WORKS ON ALL BT30 MACHINES WITH DUAL CONTACT SPINDLES
COMPATIBLE WITH BIG-PLUS® SPINDLES
THIS TOOL IS TO BE USED AS A STANDARD FOR GAGE LENGTH
CAN BE USED TO CALIBRATE YOUR TABLE TOOL PROBE
FOR MORE PRODUCT DETAILS PLEASE GO TO MARITool.COM
AND SEARCH ITEM # LISTED ON THIS PRINT

MARITool

WWW.MARITool.COM

ITEM# **BT30 TPC.3-3.0D**

Made in USA