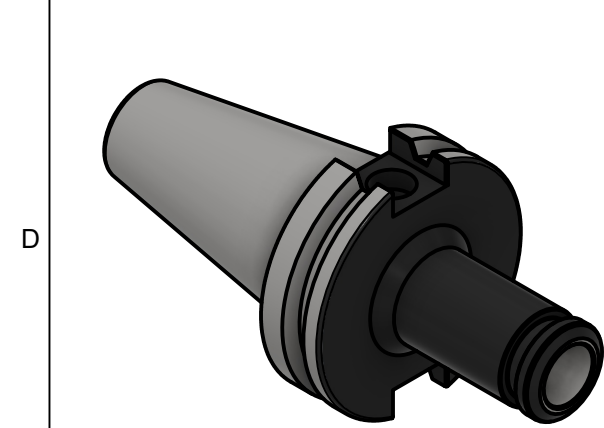
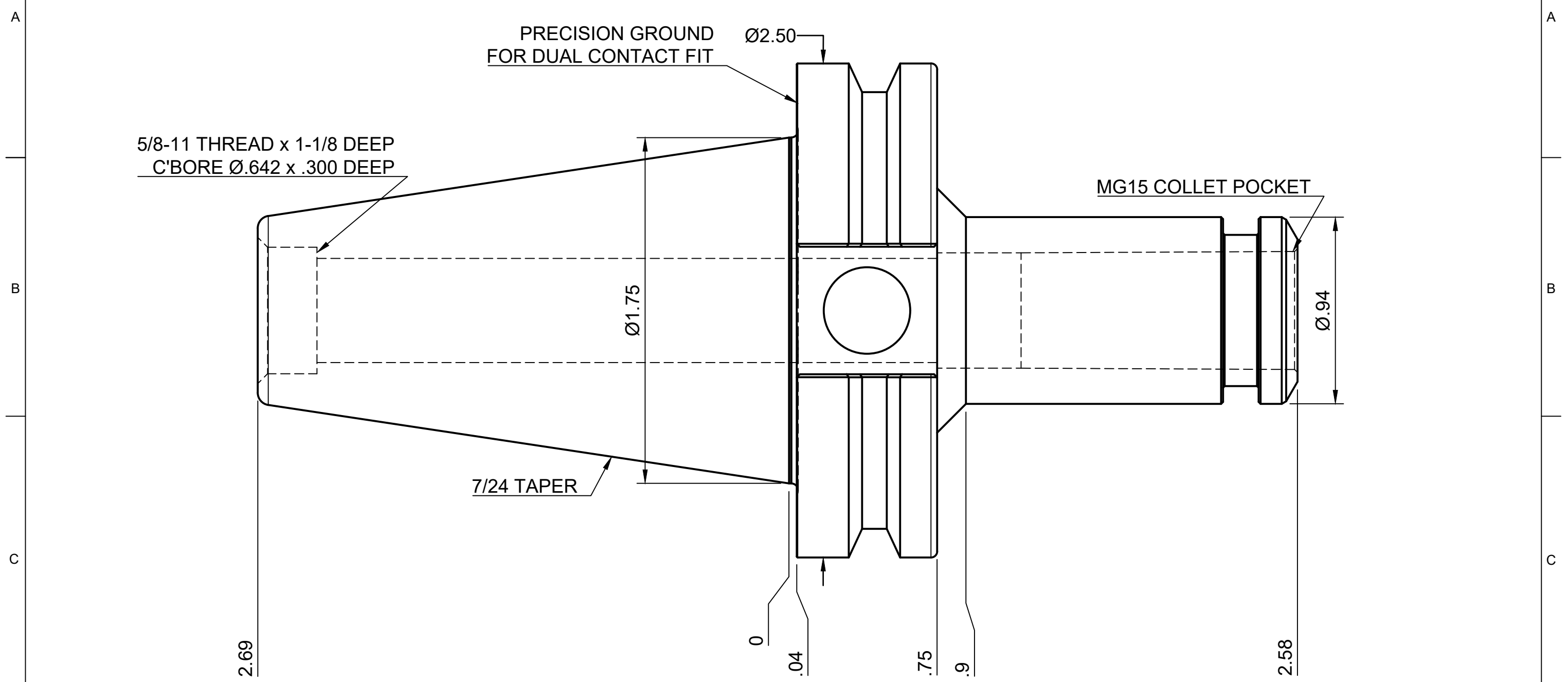


1 2 3 4 5 6



NOTES:
 WORKS ON ALL CAT40 MACHINES WITH DUAL CONTACT SPINDLES
 COMPATIBLE WITH BIG-PLUS® SPINDLES
 THIS HOLDER ACCEPTS ALL MEGA GRIP 15mm COLLETS
 ALSO COMPATIBLE WITH PG15 COLLETS
 THESE HOLDERS ARE COMPATIBLE WITH THE REGO-FIX *POWRGRIP®
 COLLETS, HYDRAULIC PRESS AND OTHER RELATED ACCESSORIES
 FOR MORE PRODUCT DETAILS PLEASE GO TO MARITool.COM
 AND SEARCH ITEM # LISTED ON THIS PRINT

MARITool	
www.maritool.com	
ITEM#	CAT40-MG15-2.75D
Made In USA / Drawn By FM	

1 2 3 4 5 6