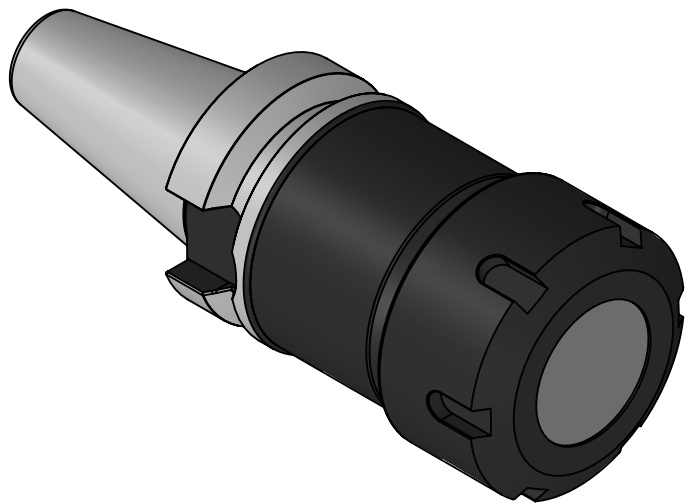
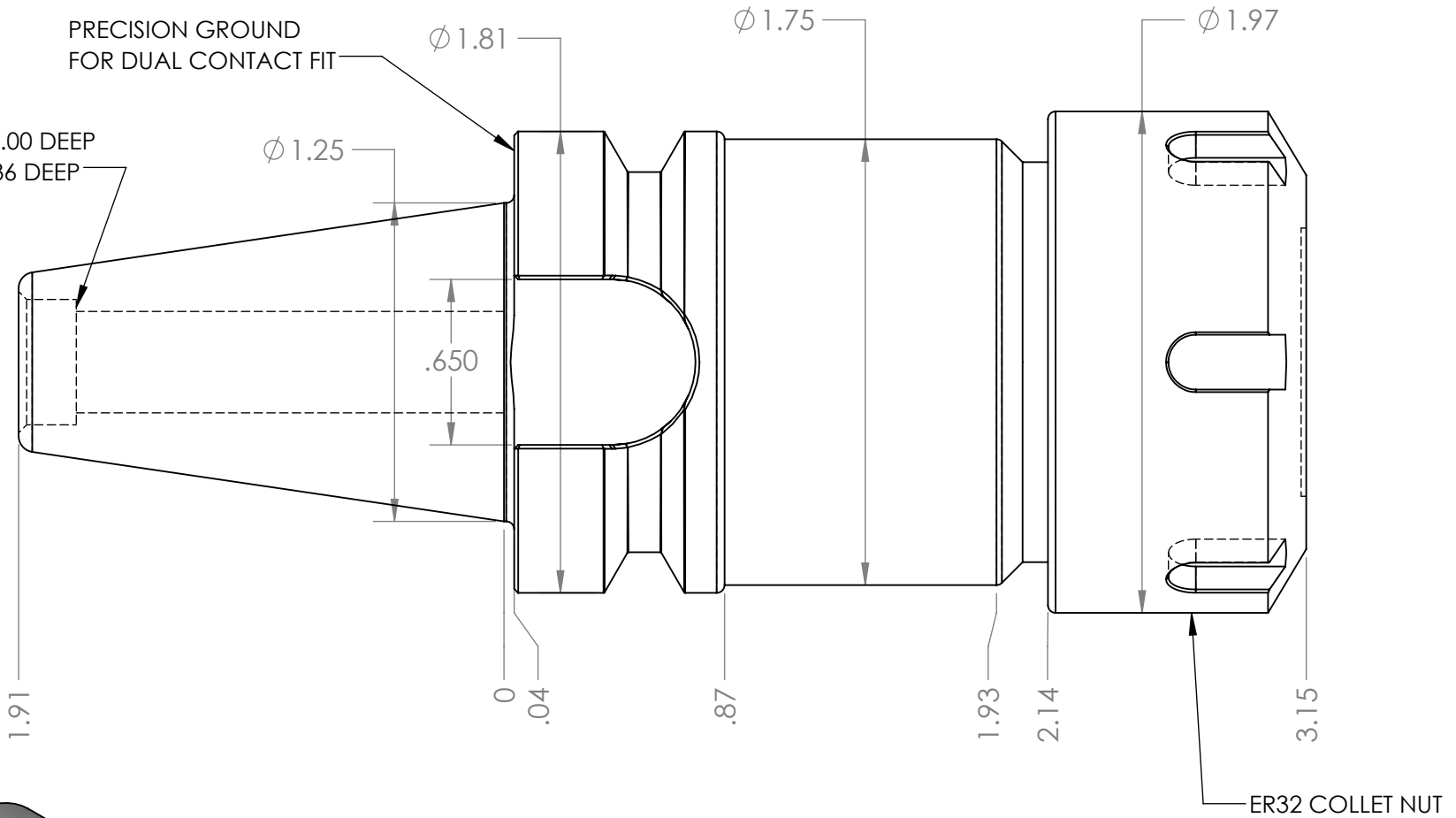


M12x1.75 THREAD x 1.00 DEEP
C'BORE DIA .492 x .236 DEEP

PRECISION GROUND
FOR DUAL CONTACT FIT



NOTES:
WORKS ON ALL BT30 MACHINES WITH DUAL CONTACT SPINDLES
COMPATIBLE WITH BIG-PLUS® SPINDLES
ACCEPTS ALL ER32 COLLETS
USES WRENCH PART #ER32-WRENCH (NOT INCLUDED)
FOR MORE PRODUCT DETAILS PLEASE GO TO MARITOO.COM
AND SEARCH ITEM # LISTED ON THIS PRINT

MARITOO

WWW.MARITOO.COM

ITEM# **BT30-ER32-80D**

Made in USA