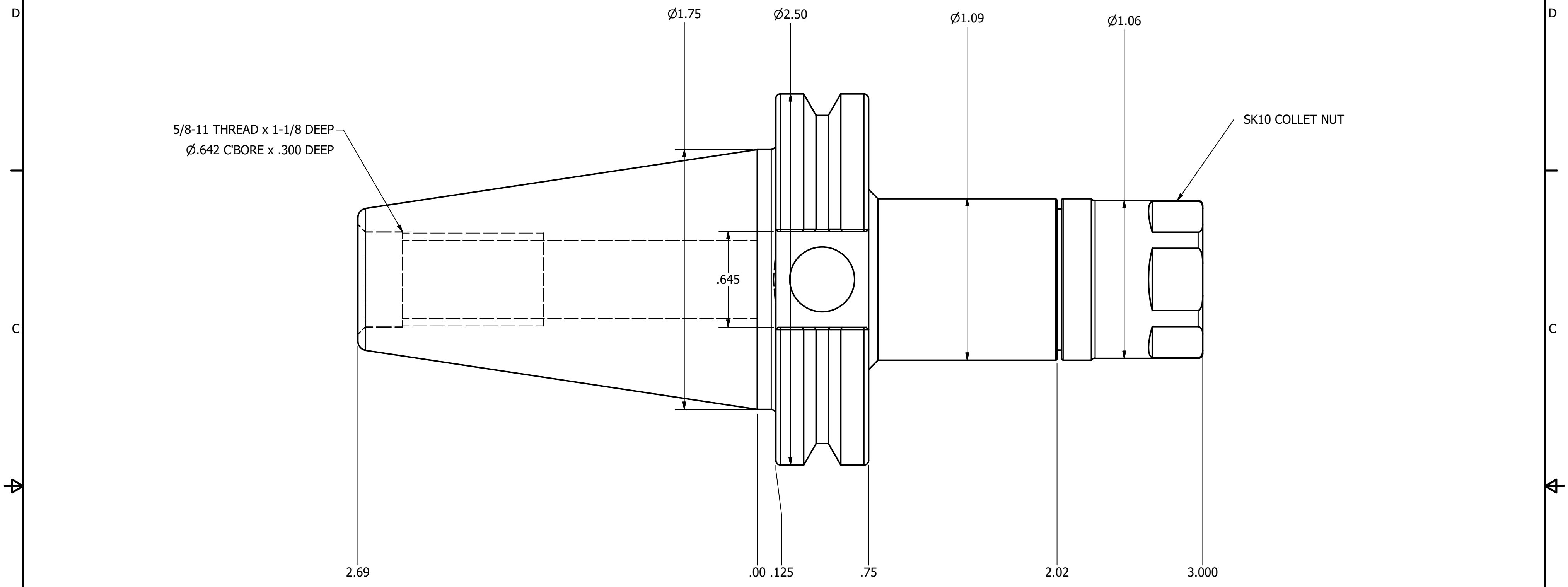


4 3 2 1



NOTES:
 TAKES ALL SK10 COLLETS FROM .0787"-.3937"
 USES WRENCH PART #ER16-WRENCH (NOT INCLUDED)
 FOR MORE PRODUCT DETAILS PLEASE GO TO MARITOO.COM
 AND SEARCH ITEM # LISTED ON THIS PRINT

MARITOOOL	
www.maritool.com	
ITEM#	CAT40-SK10-3.0
Made in USA	

4 3 2 1