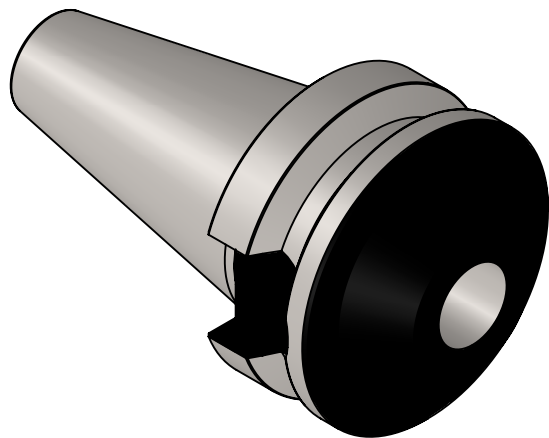
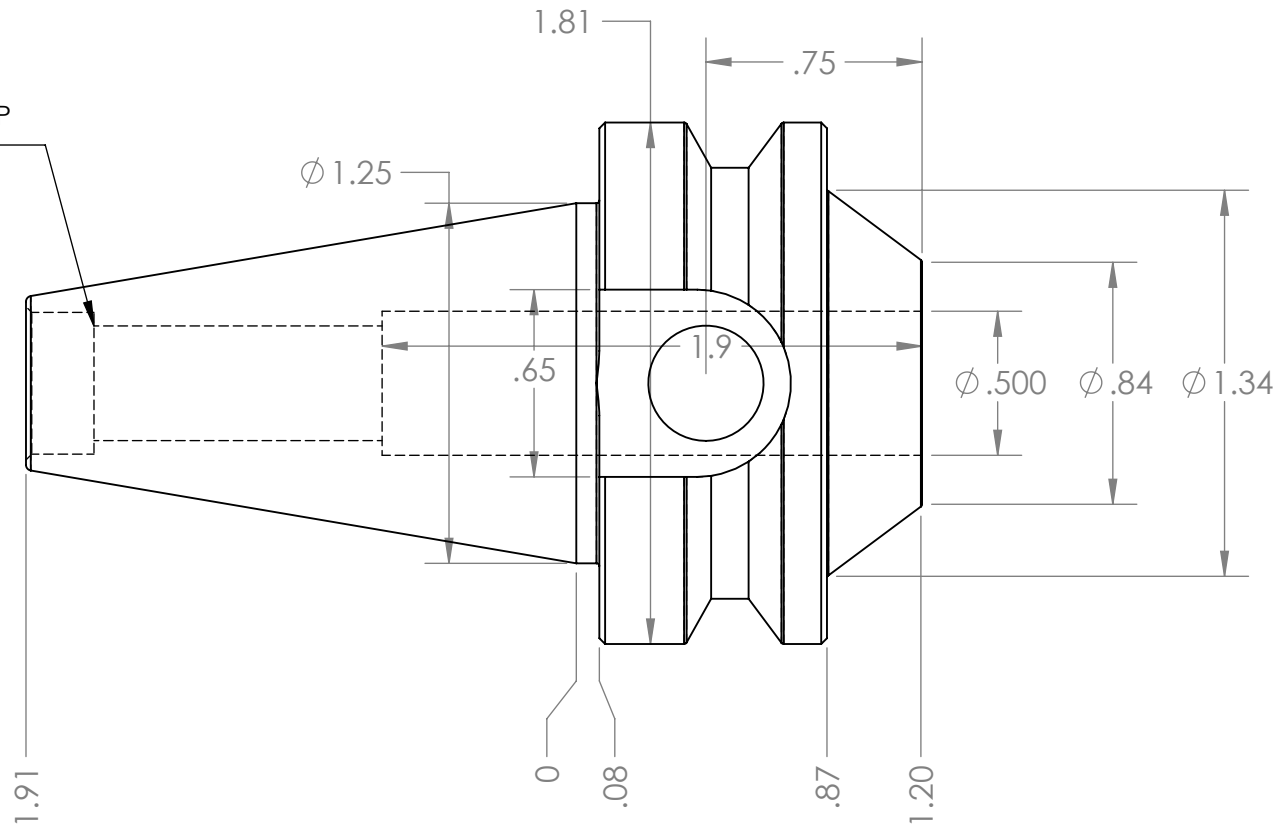


M12x1.75 THREAD x 1.00 DEEP  
C'BORE DIA .492 x .236 DEEP



NOTES:  
HOLDER USES 7/16 - 20 SET SCREW, PART #SS160  
ACCEPTS .500 SHANK TOOLING  
FOR MORE PRODUCT DETAILS PLEASE GO TO MARITOO.COM  
AND SEARCH ITEM # LISTED ON THIS PRINT

**MARITOO**

WWW.MARITOO.COM

ITEM# **BT30 EM.500-1.2**

Made in USA