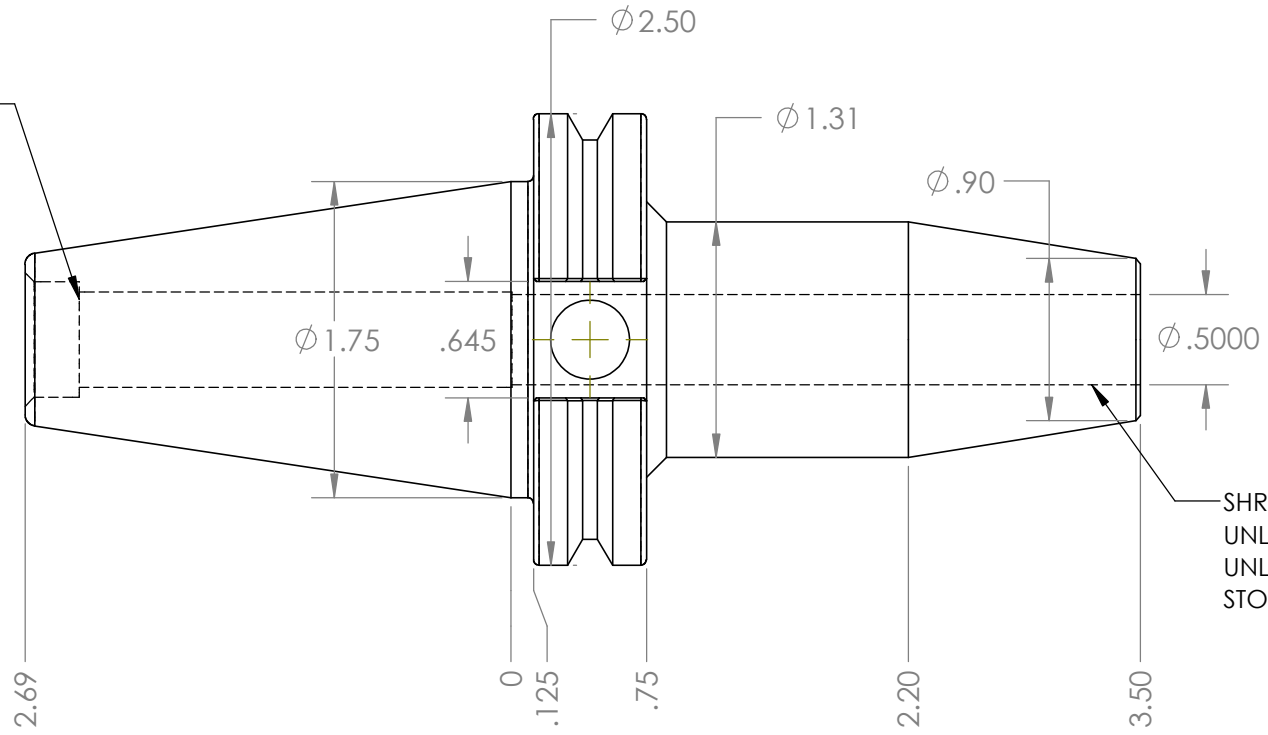
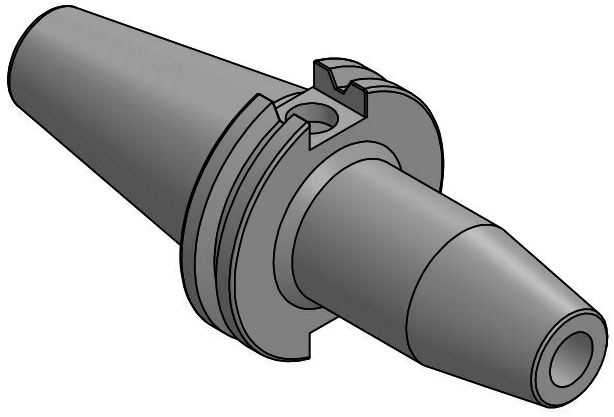


5/8-11 THREAD 1-1/8 DEEP
 Ø.642 C'BORE X .300 DEEP



SHRINK FIT BORE.
 UNLIMITED DEPTH
 UNLESS SHRINK FIT
 STOP IS USED.



NOTES:
 ACCEPTS ALL Ø.500 SHANK TOOLING.
 FOR MORE PRODUCT DETAILS PLEASE GO TO MARITool.COM
 AND SEARCH ITEM # LISTED ON THIS PRINT

MARITool

WWW.MARITool.COM

ITEM# **CAT40-SF.500-3.5**

Made in USA