

5/8-11 THREAD x 1-1/8 DEEP
C'BORE DIA .642 x .300 DEEP

PRECISION GROUND
FOR DUAL CONTACT FIT

Ø 2.50

Ø 1.75

Ø 1.46

M16x2.0 THREAD x 1.06 DEEP

.65

Ø .67 Ø 1.22

2.70

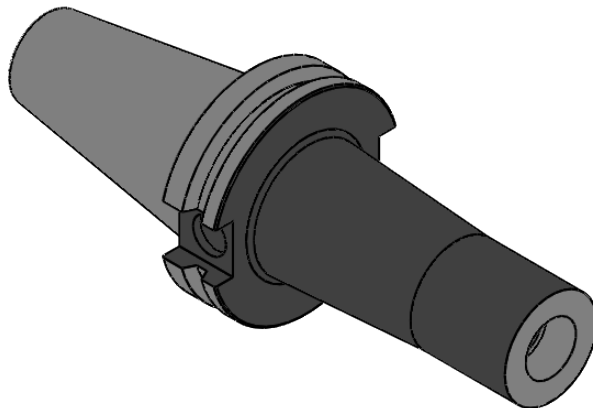
0

.04

.75

2.75

4.0



NOTES:
WORKS ON ALL CAT40 MACHINES WITH DUAL CONTACT SPINDLES
COMPATIBLE WITH BIG-PLUS® SPINDLES
ACCEPTS M16 X 2.0 THREADED BODIES
FOR MORE PRODUCT DETAILS PLEASE GO TO MARITOO.COM
AND SEARCH ITEM # LISTED ON THIS PRINT

MARITOOOL

WWW.MARITOOOL.COM

ITEM# **CAT40-TB16-4.0DT**

Made in USA