

4

3

2

1

D

D

C

C

B

B

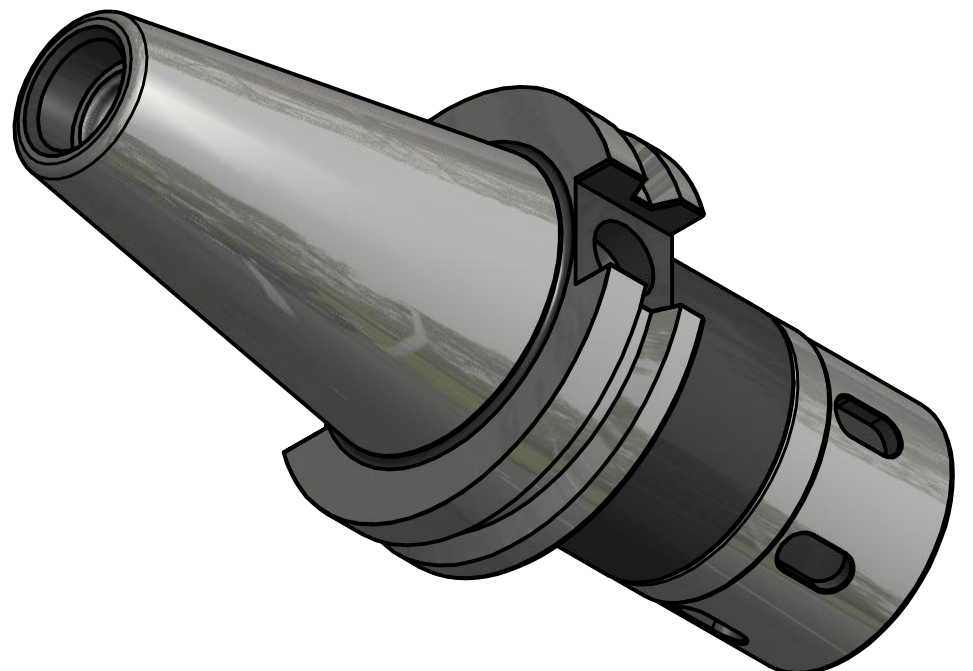
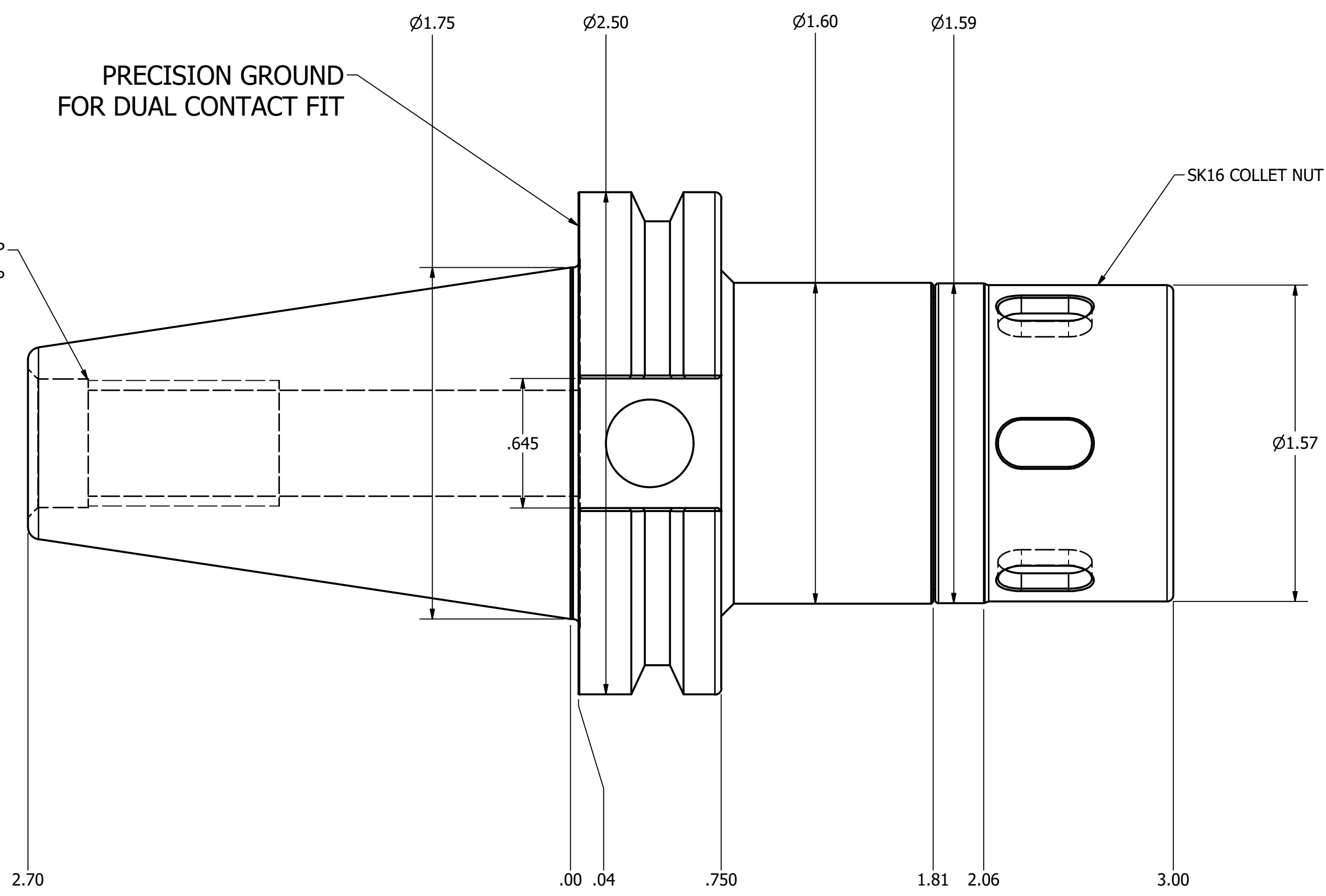
A

A

5/8-11 THREAD x 1-1/8 DEEP
Ø.642 C'BORE x .300 DEEP

PRECISION GROUND
FOR DUAL CONTACT FIT

SK16 COLLET NUT



NOTES:
 WORKS ON ALL CAT40 MACHINES WITH DUAL CONTACT SPINDLES
 COMPATIBLE WITH BIG-PLUS® SPINDLES
 TAKES ALL SK16 COLLETS FROM .09"-.630"
 USES WRENCH PART #ER25-BWRENCH (NOT INCLUDED)
 FOR MORE PRODUCT DETAILS PLEASE GO TO MARITool.COM
 AND SEARCH ITEM # LISTED ON THIS PRINT

MARITool	
www.maritool.com	
ITEM#	CAT40-SK16-3.0D
Made in USA	

4

3

2

1