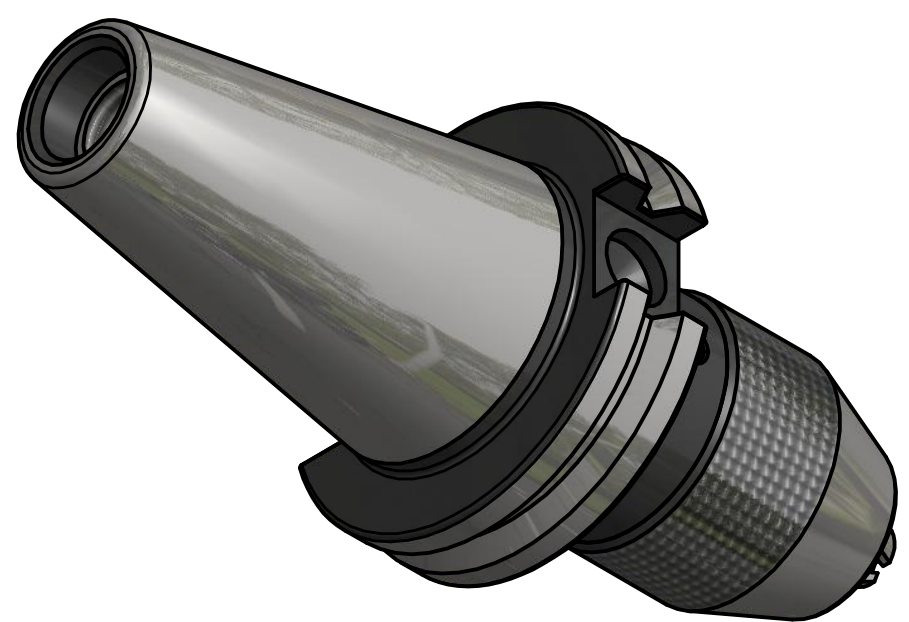
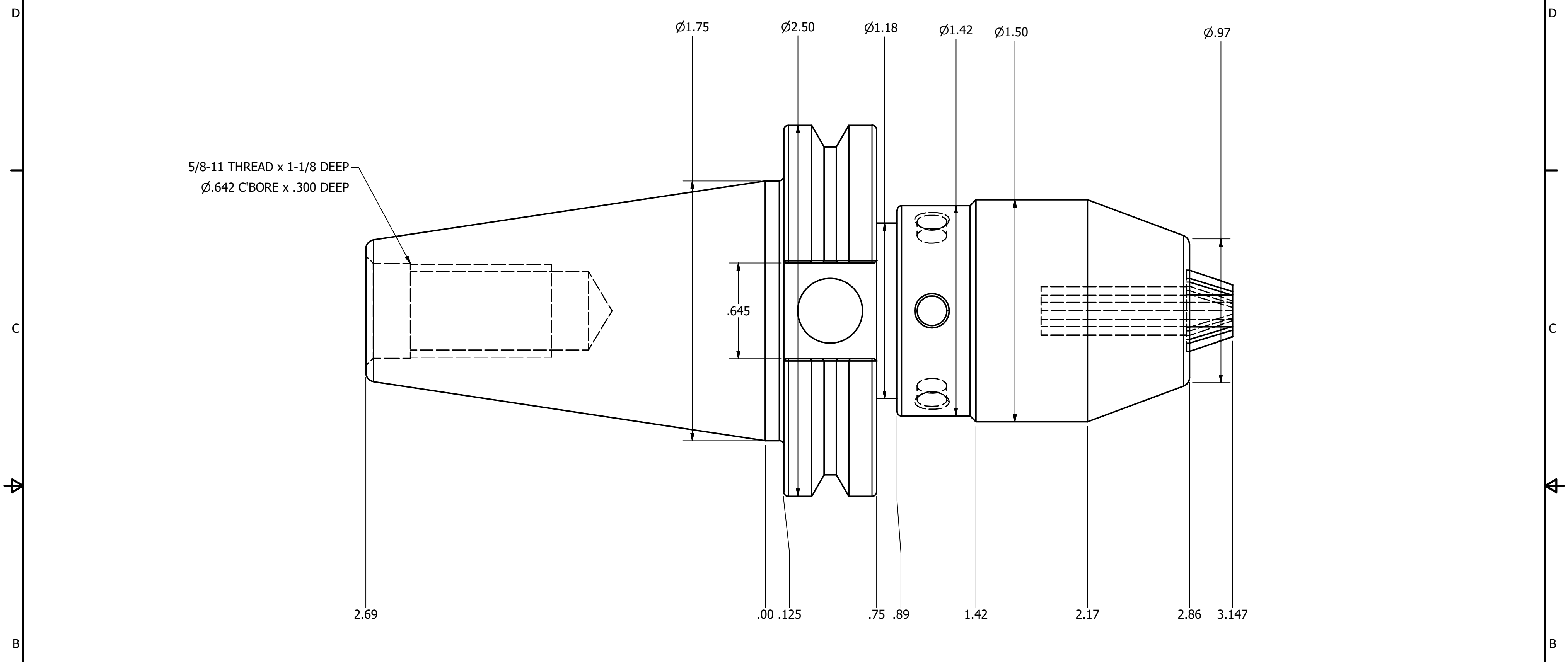


4 3 2 1



NOTES:
 THIS DRILL CHUCK CAN HOLD SHANKS FROM .010"-.315"
 USES WRENCH PART APU08-WRENCH (INCLUDED)
 FOR MORE PRODUCT DETAILS PLEASE GO TO MARITOO.COM
 AND SEARCH ITEM # LISTED ON THIS PRINT

| | |
|------------------|--------------------|
| MARITOOOL | |
| www.maritool.com | |
| ITEM# | CAT40-APU08 |
| | |

4 3 2 1