

1 2 3 4 5 6

A

B

C

D

A

B

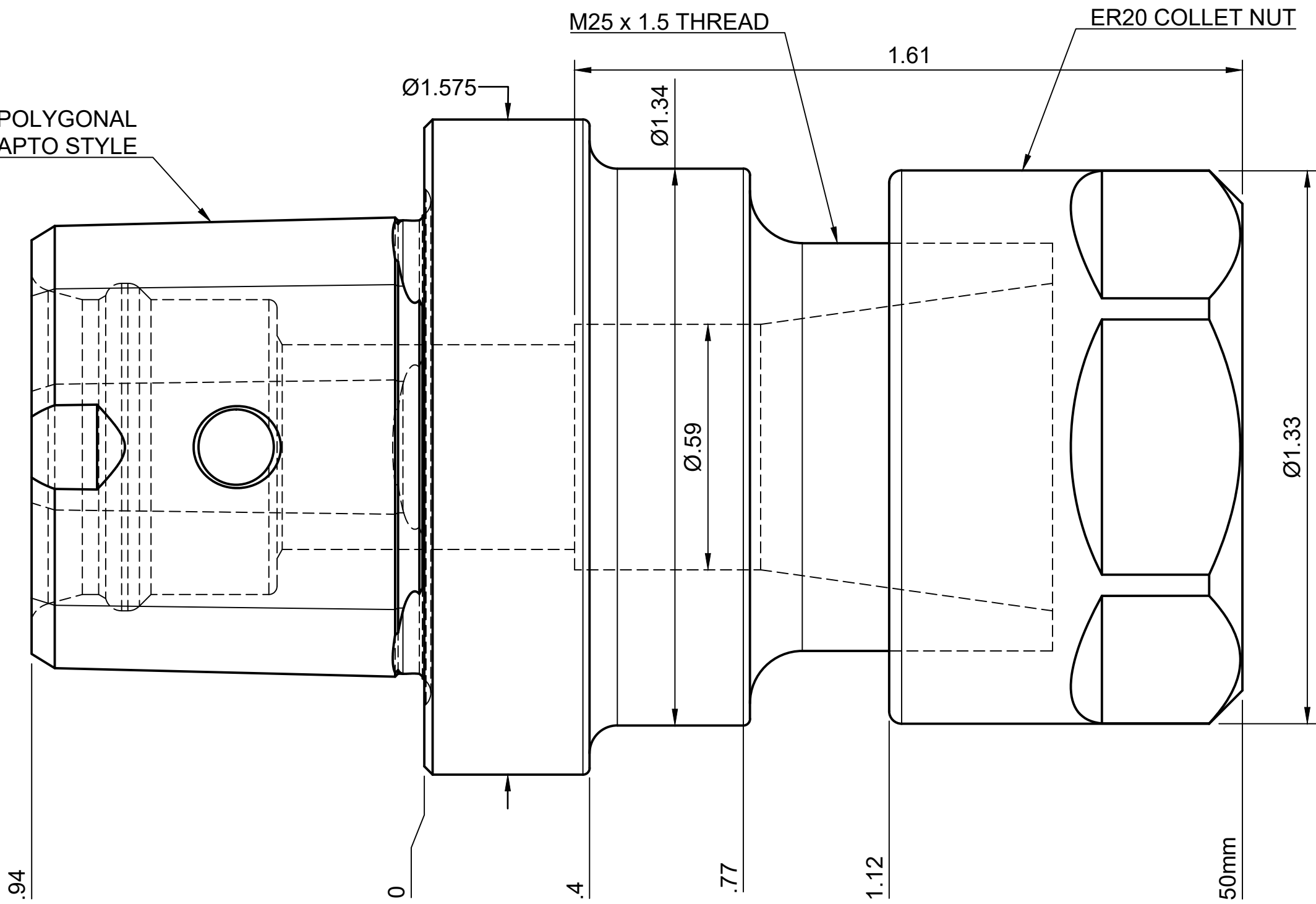
C

D

PSC4 POLYGONAL SHANK CAPTO STYLE

M25 x 1.5 THREAD

ER20 COLLET NUT



NOTES:
 WORKS ON ALL CAPTO® C4 MACHINES
 TAKES ALL ER20 COLLETS FROM .0244"-.5625"
 USES WRENCH PART #ER20-WRENCH (NOT INCLUDED)
 FOR MORE PRODUCT DETAILS PLEASE GO TO MARITOO.COM
 AND SEARCH ITEM # LISTED ON THIS PRINT

PSC4 is referred to as C4 and both are compatible.
 *Capto is trademark of Coromant Capto® and Sandvik Coromant and is used only for identification purposes.
 Compatible with C4 spindles, but not licensed.



MARITOO	
www.maritool.com	
ITEM#	PSC4-ER20-50W
Drawn By FM	

1 2 3 4 5 6