

5/8-11 THREAD x 1-1/8 DEEP  
C'BORE DIA .642 x .300 DEEP

PRECISION GROUND  
FOR DUAL CONTACT FIT

Ø 1.75

Ø 2.50

Ø 1.22

M16x2.0 THREAD x 1.06 DEEP

.65

Ø .67

Ø 1.22

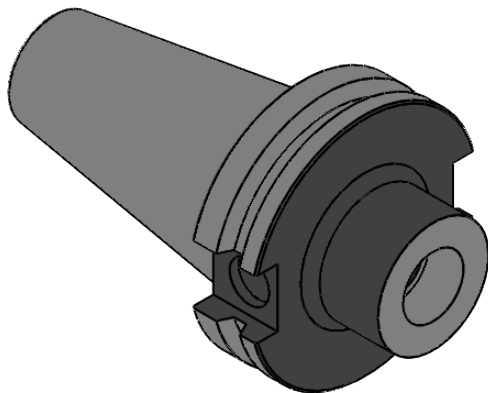
2.70

0

.04

.75

1.5



NOTES:  
WORKS ON ALL CAT40 MACHINES WITH DUAL CONTACT SPINDLES  
COMPATIBLE WITH BIG-PLUS® SPINDLES  
ACCEPTS M16 X 2.0 THREADED BODIES  
FOR MORE PRODUCT DETAILS PLEASE GO TO MARITOO.COM  
AND SEARCH ITEM # LISTED ON THIS PRINT

**MARITOOOL**

WWW.MARITOOOL.COM

ITEM# **CAT40-TB16-1.5D**

Made in USA