

DATA
OUTPUT

METAL
RACK



DIGITAL HEIGHT GAGES WITH DRIVING WHEEL

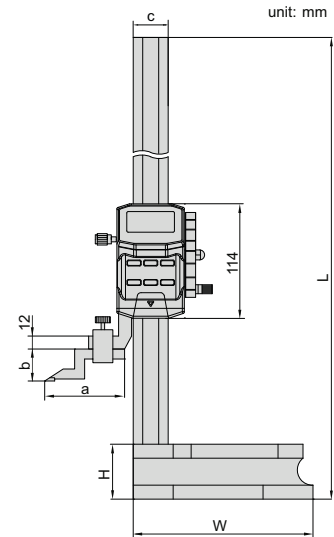
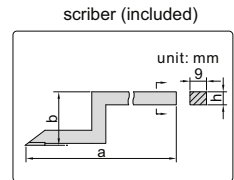
**INSPECTION
CERTIFICATE**
TRACEABLE TO DKD



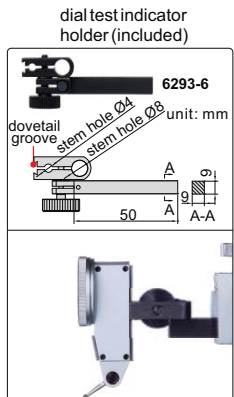
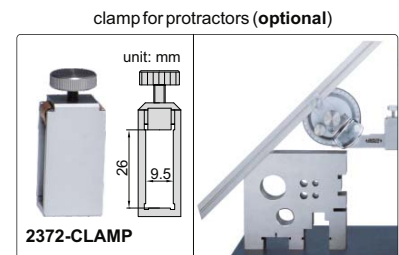
1156-300



front 1156-1000 side



- Resolution: .0005"/0.01mm
- Buttons: on/off, zero, mm/inch, preset +, preset -, hold
- Automatic power off, move the digital unit to turn on power
- Carbide tipped scriber, made of stainless steel
- Battery CR2032
- Data output, supplied with dust cover
- Supplied with dial test indicator holder
- Optional accessory: data output cable (code 7306-20, 7315-20, 7302-SPC5A, 7305-SPC2A, 7305-A01), clamp for protractors (code 2372-CLAMP)



(mm)

Code	Range	Accuracy	L	W	H	a	b	c	h
1156-300*	0-300mm/0-12"	±0.03mm	515	180	55	80	30	35	9
1156-600*	0-600mm/0-24"	±0.05mm	815	180	55	80	30	35	9
1156-1000*	0-1000mm/0-40"	±0.07mm	1220	265	70	92	48	40	12

* Supplied with manufacturer inspection certificate traceable to NIST