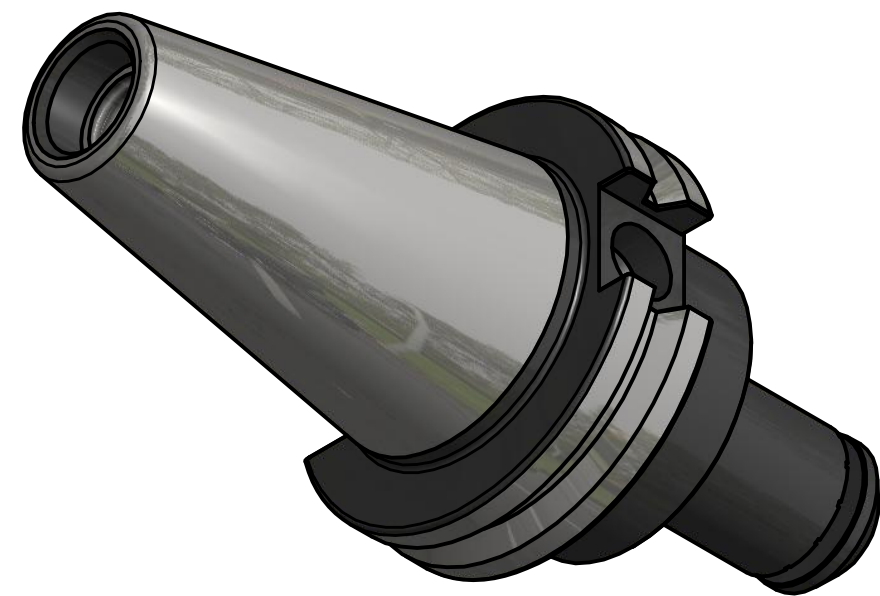
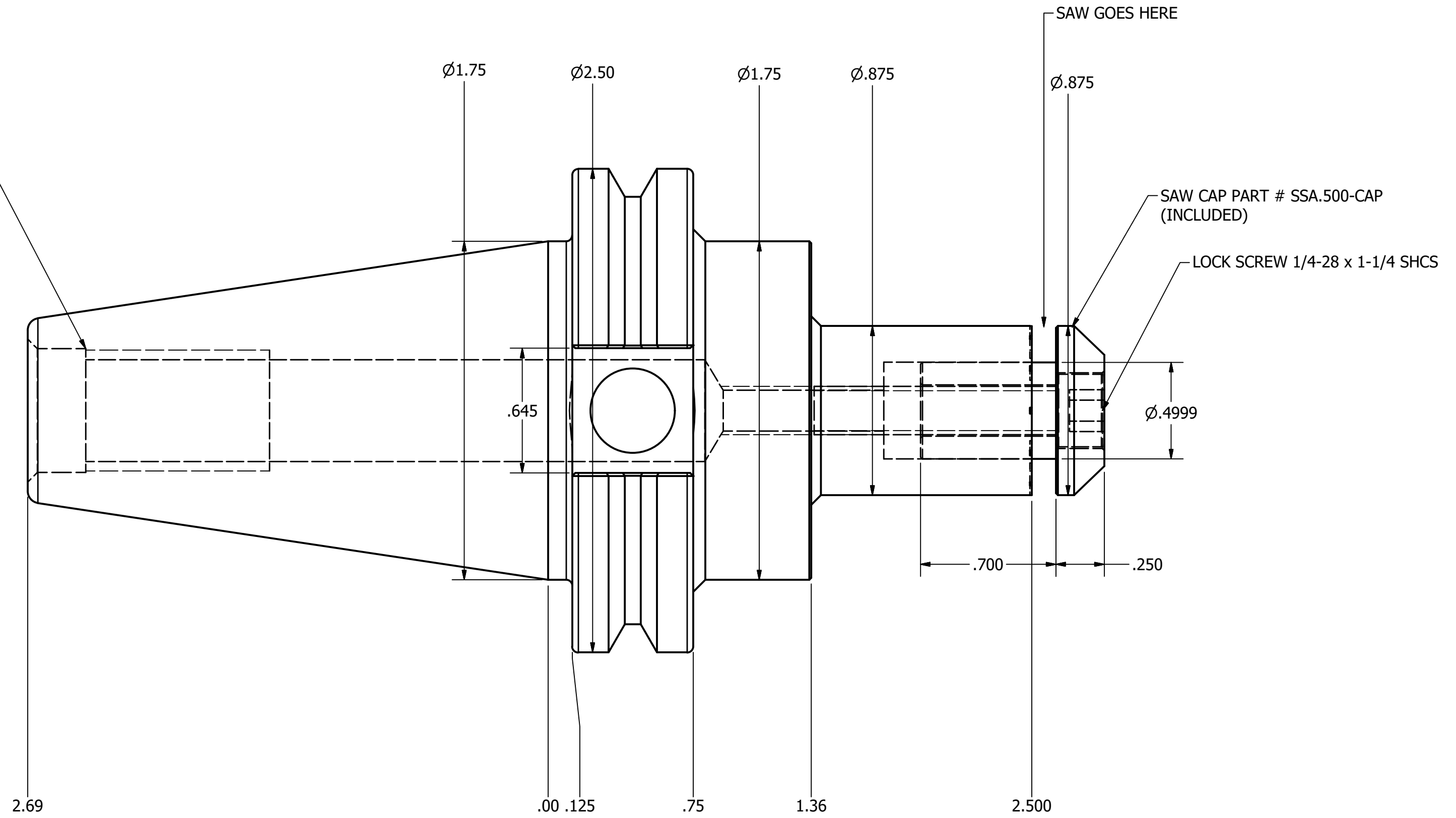


5/8-11 THREAD x 1-1/8 DEEP  
Ø.642 C'BORE x .300 DEEP



NOTES:  
HOLDER USES LOCK SCREW 1/4-28 x 1-1/4 SHCS (INCLUDED)  
SAW CAP IS 1/4 THICK AND .4999 DIAMETER BOSS IS .700 LONG  
FOR MORE PRODUCT DETAILS PLEASE GO TO MARITOO.COM  
AND SEARCH ITEM # LISTED ON THIS PRINT

**MARITOO**

www.maritool.com

ITEM# **CAT40-SSA.50-2.5**

Made in USA