

1

2

3

4

5

6

A

A

B

B

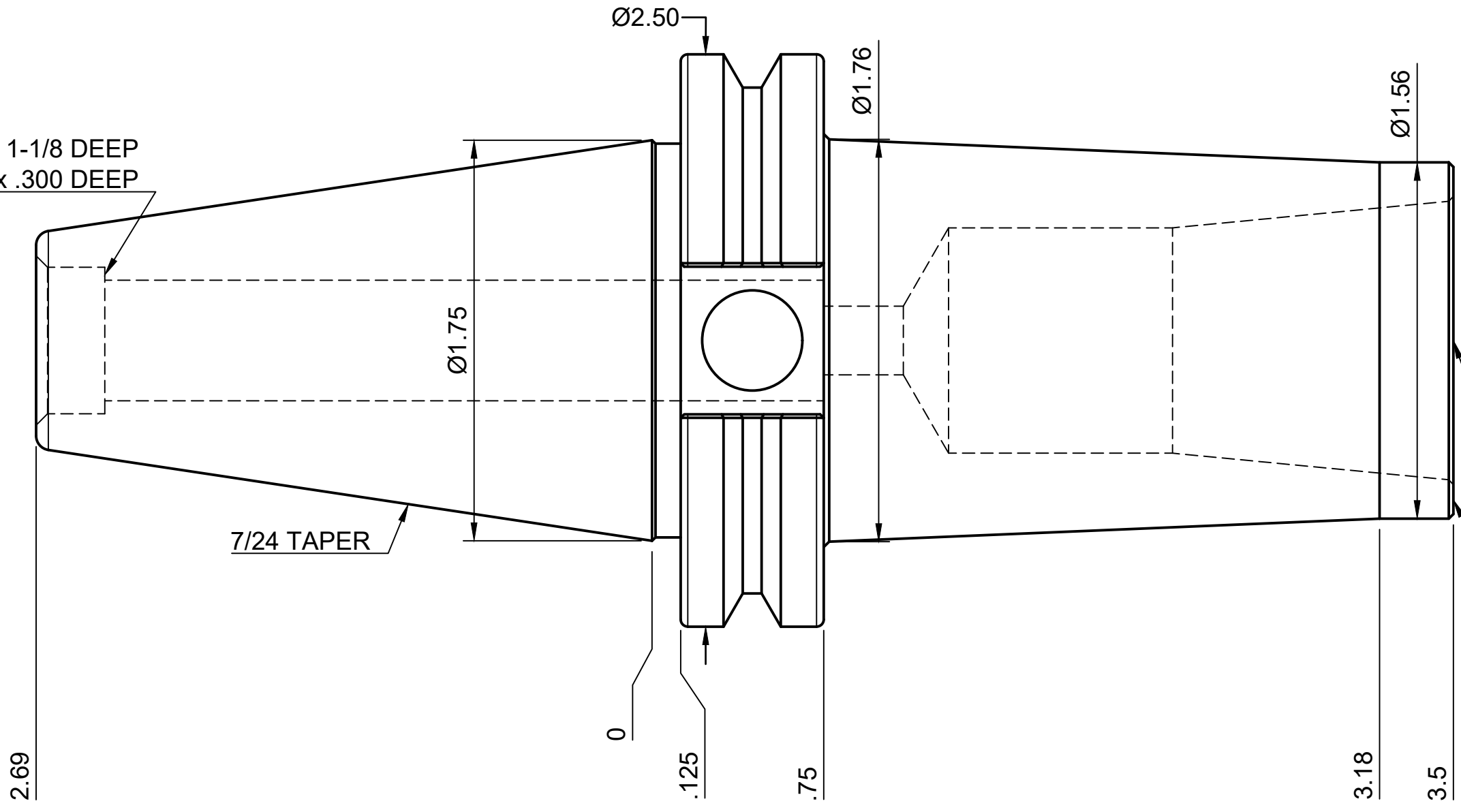
C

C

D

D

5/8-11 THREAD x 1-1/8 DEEP
C'BORE Ø.642 x .300 DEEP



7/24 TAPER

2.69

0

.125

.75

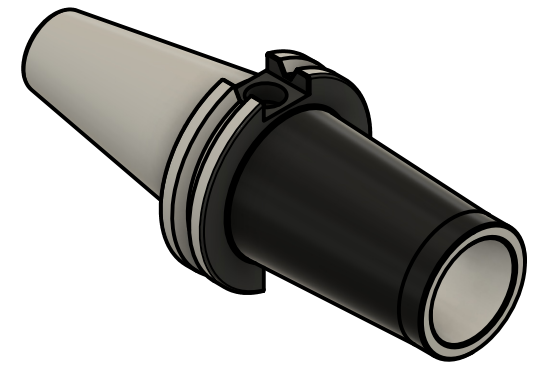
Ø1.76

3.18

3.5

Ø1.56

DSF16 DUAL CONTACT TAPER



NOTES:
ACCEPTS ALL DSF16 MODULAR TOOL HOLDERS
FOR MORE PRODUCT DETAILS PLEASE GO TO MARITOO.COM
AND SEARCH ITEM # LISTED ON THIS PRINT

MARITOO	
www.maritool.com	
ITEM#	CAT40 DSF16-3.5
Made In USA / Drawn By FM	

1

2

3

4

5

6