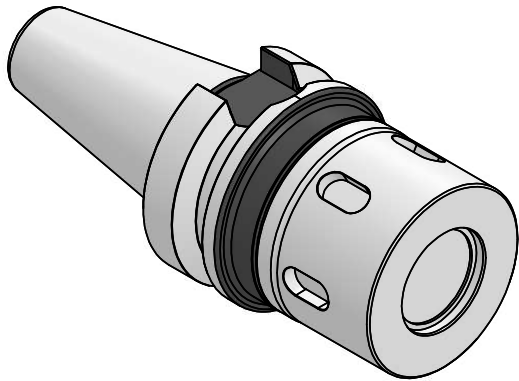
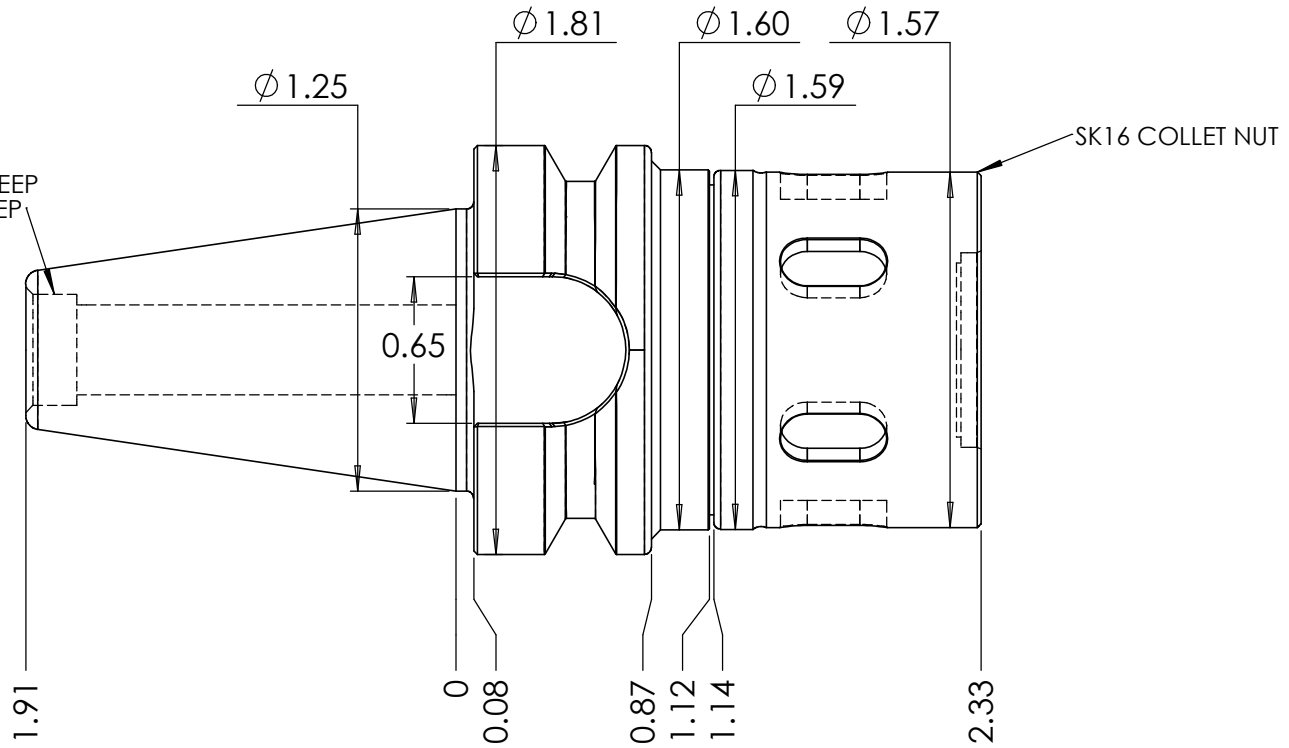


M12x1.75 THREAD x 1.00 DEEP
C'BORE DIA .492 x .236 DEEP



NOTES:
TAKES ALL SK16 COLLETS FROM .09"-.630"
USES WRENCH PART #ER25-BWRENCH (NOT INCLUDED)
FOR MORE PRODUCT DETAILS PLEASE GO TO MARITOO.COM
AND SEARCH ITEM # LISTED ON THIS PRINT

MARITOO

WWW.MARITOO.COM

ITEM# **BT30 SK16-60**

Made in USA