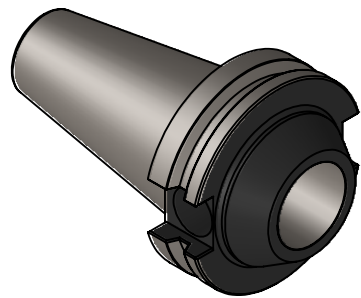
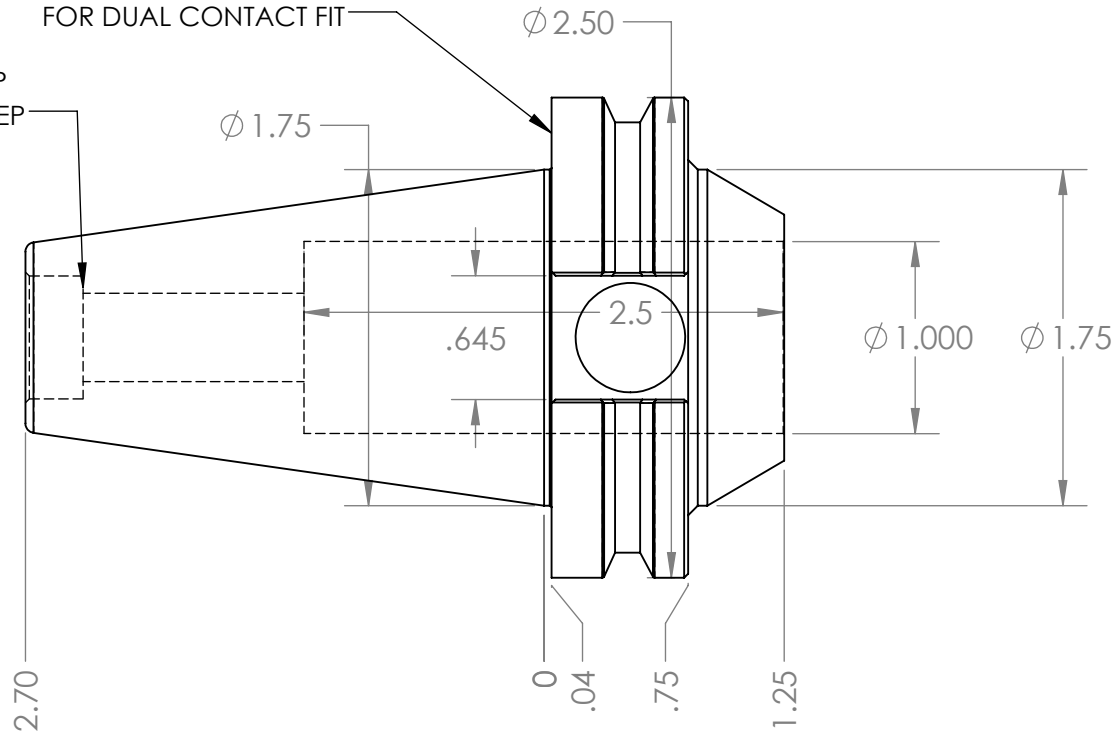


5/8-11 THREAD x 1-1/8 DEEP
Ø .642 C'BORE DIA. .300 DEEP

PRECISION GROUND
FOR DUAL CONTACT FIT



NOTES:
HOLDER USES 5/8 - 18 SET SCREW, PART #SS250
WORKS ON ALL CAT40 MACHINES WITH DUAL CONTACT SPINDLES
COMPATIBLE WITH BIG-PLUS® SPINDLES
ACCEPTS 1.0 SHANK TOOLING
FOR MORE PRODUCT DETAILS PLEASE GO TO MARITOO.COM
AND SEARCH ITEM # LISTED ON THIS PRINT

MARITOO

WWW.MARITOO.COM

ITEM# **CAT40 EM 1.0-1.25D**

Made in USA