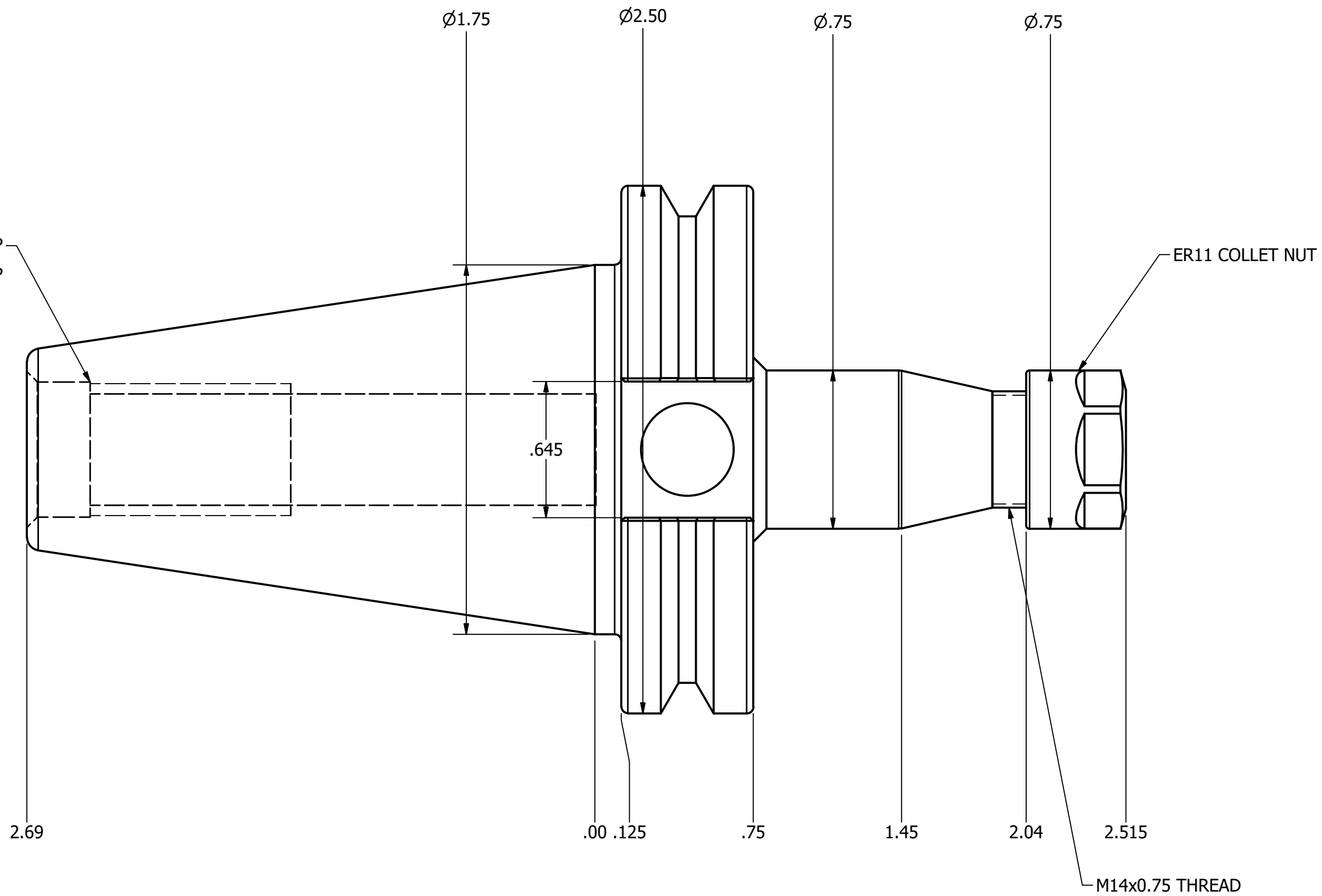


5/8-11 THREAD x 1-1/8 DEEP
 Ø.642 C'BORE x .300 DEEP



NOTES:
 TAKES ALL ER11 COLLETS FROM .039"-.3125"
 USES WRENCH PART #ER11-WRENCH (NOT INCLUDED)
 FOR MORE PRODUCT DETAILS PLEASE GO TO MARITOO.COM
 AND SEARCH ITEM # LISTED ON THIS PRINT

MARITOO

www.maritool.com

ITEM# **CAT40-ER11-2.5**

Made in USA