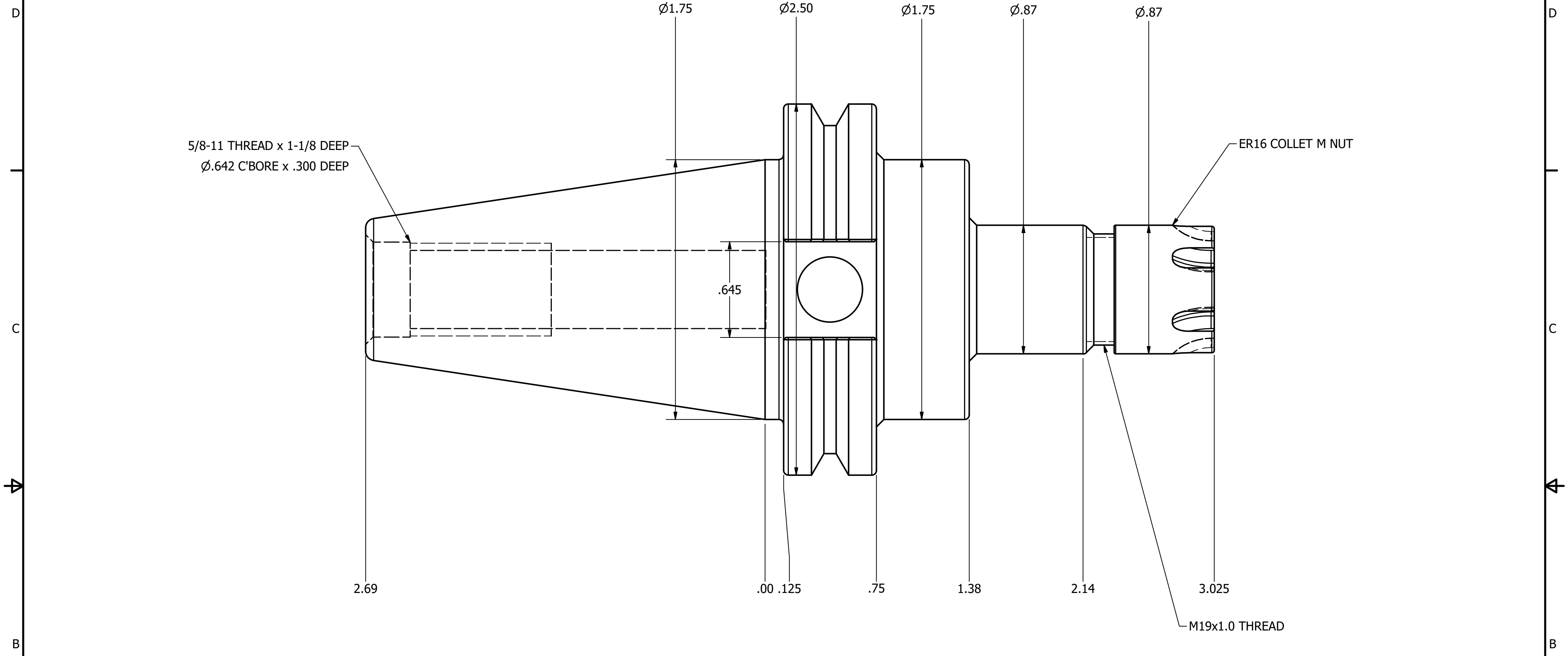


4 3 2 1



NOTES:
 TAKES ALL ER16 COLLETS FROM .039"-.4375"
 USES WRENCH PART #ER16M COLLET WRENCH (NOT INCLUDED)
 FOR MORE PRODUCT DETAILS PLEASE GO TO MARITool.COM
 AND SEARCH ITEM # LISTED ON THIS PRINT

MARITool	
www.maritool.com	
ITEM#	CAT40-ER16-3.0M
Made in USA	

4 3 2 1