

1

2

3

4

5

6

A

A

B

B

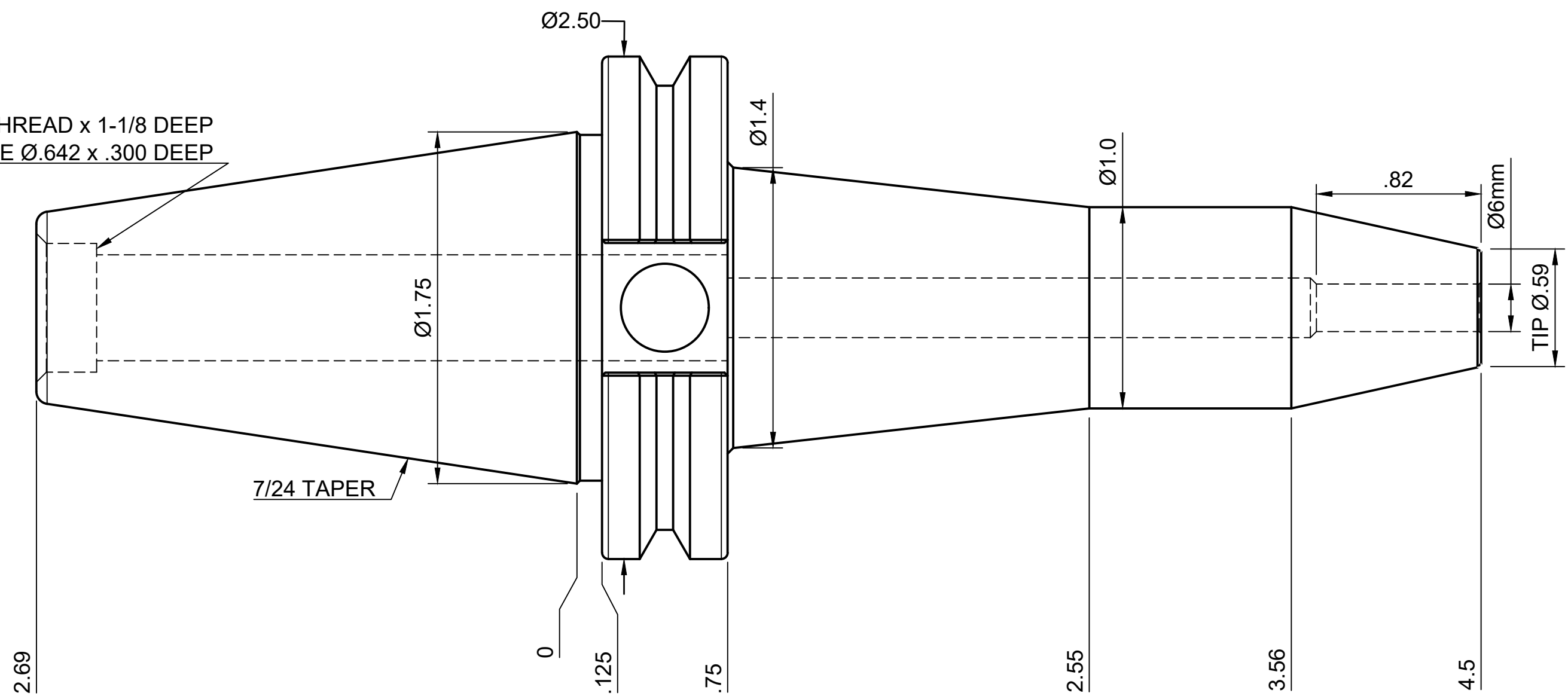
C

C

D

D

5/8-11 THREAD x 1-1/8 DEEP
C'BORE Ø.642 x .300 DEEP



7/24 TAPER

2.69

$\text{Ø}1.75$

0

.125

.75

$\text{Ø}1.4$

2.55

$\text{Ø}1.0$

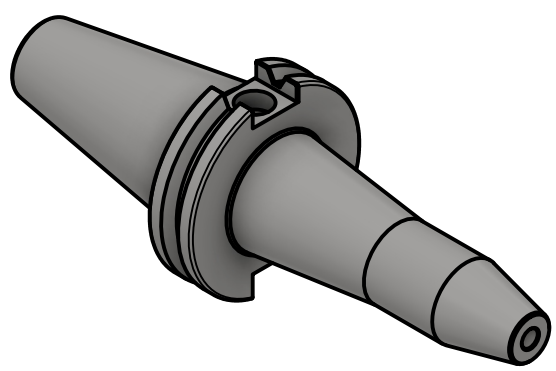
3.56

.82

4.5

$\text{Ø}6\text{mm}$

TIP $\text{Ø}.59$



NOTES:
ACCEPTS 6mm SHANK TOOLING
FOR MORE PRODUCT DETAILS PLEASE GO TO MARITOO.COM
AND SEARCH ITEM # LISTED ON THIS PRINT

MARITOO

www.maritool.com

ITEM# **CAT40-SF6-4.5T**

Made In USA / Drawn By FM

1

2

3

4

5

6