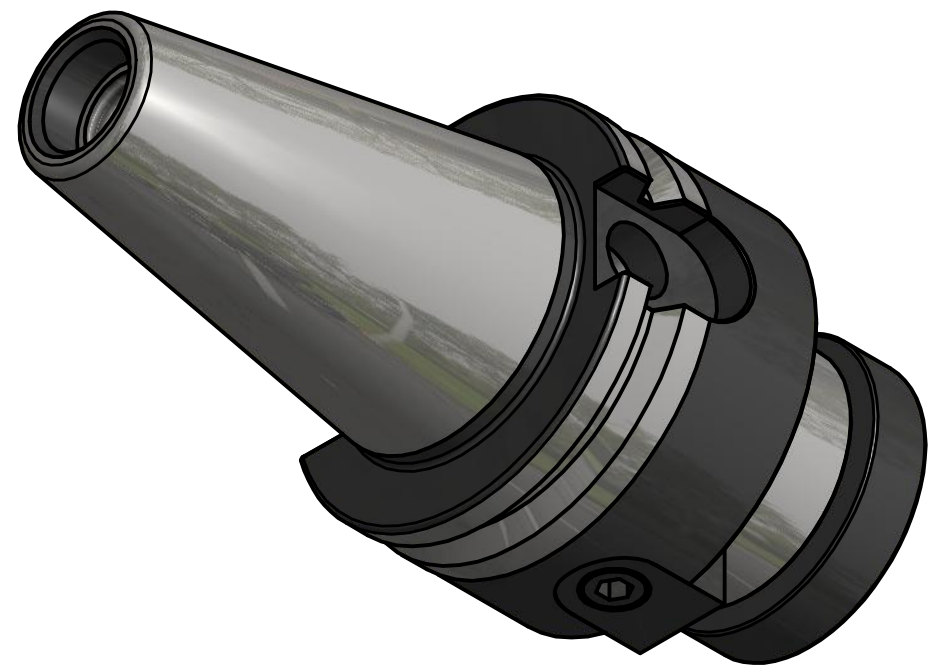
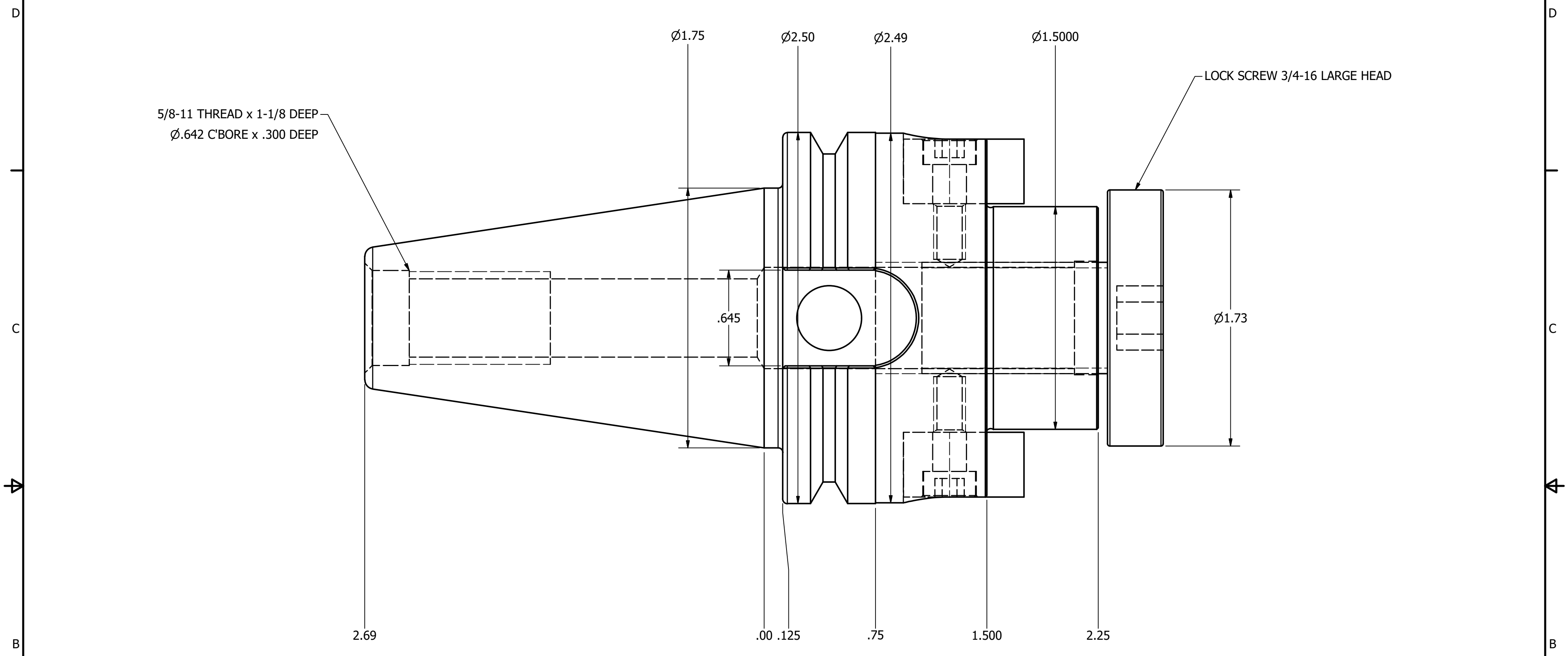


4 3 2 1



NOTES:
 HOLDER USES LOCK SCREW 3/4-16 LARGE HEAD (INCLUDED)
 FOR MORE PRODUCT DETAILS PLEASE GO TO MARITool.COM
 AND SEARCH ITEM # LISTED ON THIS PRINT

MARITool	
www.maritool.com	
ITEM#	CAT40-FMA1.5-1.5
Made in USA	

4 3 2 1