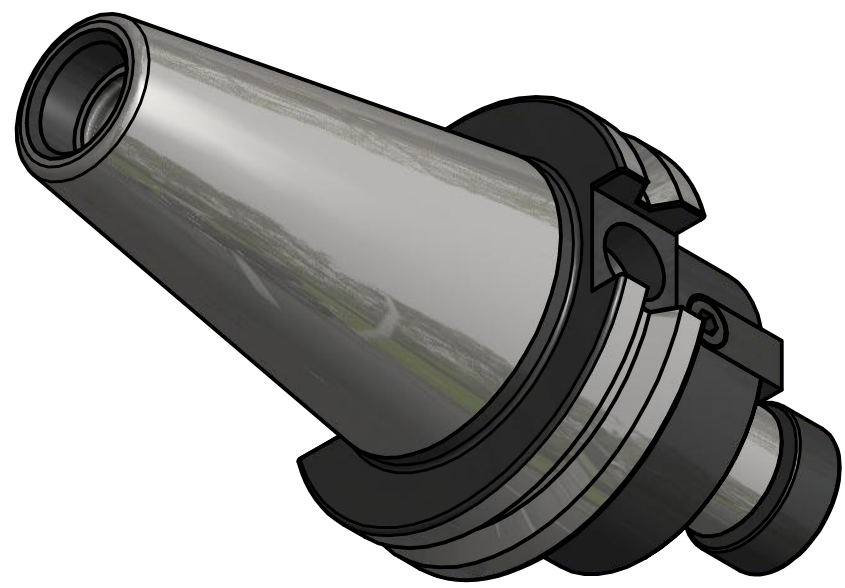
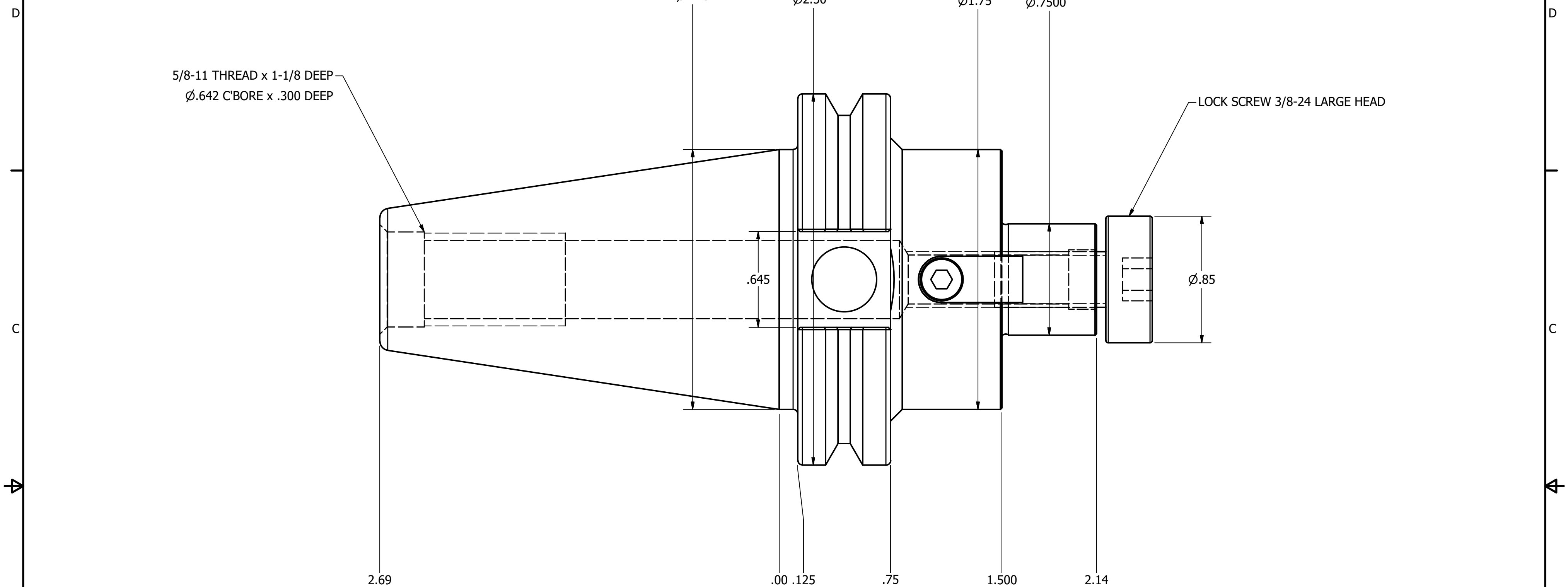


4 3 2 1



NOTES:
 HOLDER USES LOCK SCREW 3/8-24 LARGE HEAD
 AND STANDARD 3/8-24 x 1.0 SHCS (INCLUDED)
 FOR MORE PRODUCT DETAILS PLEASE GO TO MARITOO.COM
 AND SEARCH ITEM # LISTED ON THIS PRINT

MARITOOOL	
www.maritool.com	
ITEM#	CAT40-FMA.750-1.5
Made in USA	

4 3 2 1