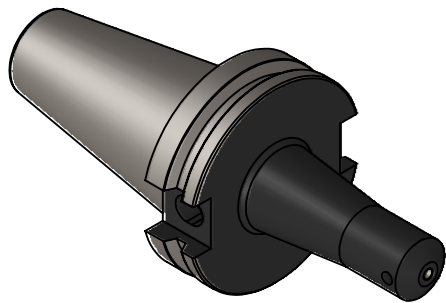
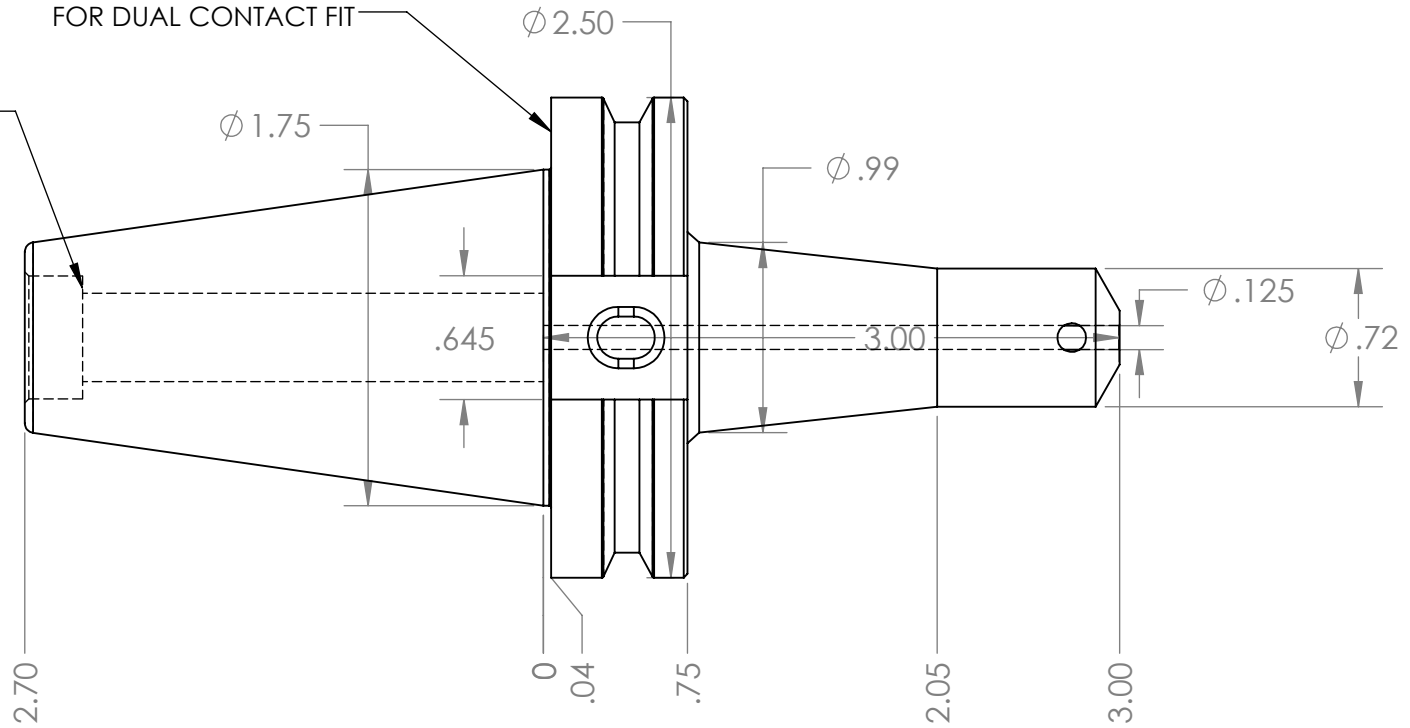


5/8-11 THREAD x 1-1/8 DEEP
 Ø .642 C'BORE DIA. .300 DEEP

PRECISION GROUND
 FOR DUAL CONTACT FIT



NOTES:
 HOLDER USES 10-32 SET SCREW, PART#SS020
 WORKS ON ALL CAT40 MACHINES WITH DUAL CONTACT SPINDLES
 COMPATIBLE WITH BIG-PLUS® SPINDLES
 ACCEPTS .125 SHANK TOOLING
 FOR MORE PRODUCT DETAILS PLEASE GO TO MARITOO.COM
 AND SEARCH ITEM # LISTED ON THIS PRINT

MARITOO

WWW.MARITOO.COM

ITEM# **CAT40 EM .125-3.0DT**

Made in USA