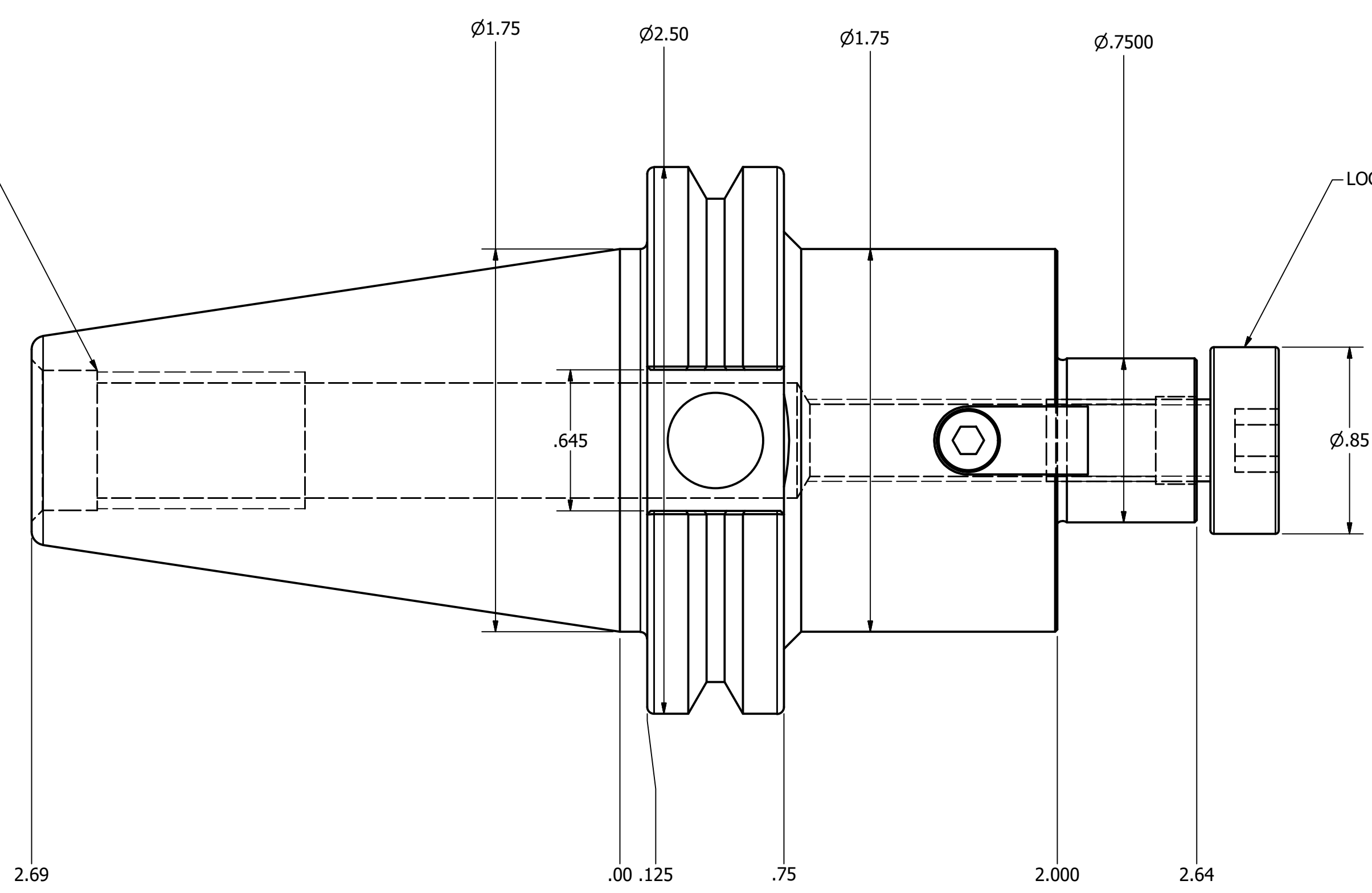


5/8-11 THREAD x 1-1/8 DEEP
 Ø.642 C'BORE x .300 DEEP

LOCK SCREW 3/8-24 LARGE HEAD



NOTES:
 HOLDER USES LOCK SCREW 3/8-24 LARGE HEAD
 AND STANDARD 3/8-24 x 1.0 SHCS (INCLUDED)
 FOR MORE PRODUCT DETAILS PLEASE GO TO MARITOO.COM
 AND SEARCH ITEM # LISTED ON THIS PRINT

MARITOOOL

www.maritool.com

ITEM# **CAT40-FMA.750-2.0**

Made in USA