

1

2

3

4

5

6

A

A

B

B

C

C

D

D

5/8-11 THREAD x 1-1/8 DEEP  
C'BORE Ø.642 x .300 DEEP

Ø2.50

Ø1.75

1.28

Ø.500  
TIP Ø.88

Ø1.30

7/24 TAPER

2.69

0

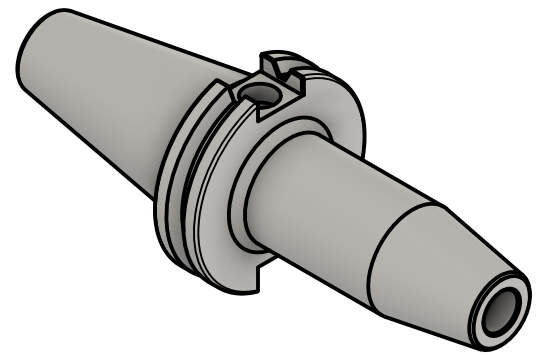
.125

.75

.87

2.69

4.0



NOTES:  
ACCEPTS 0.500 SHANK TOOLING  
FOR MORE PRODUCT DETAILS PLEASE GO TO MARITOO.COM  
AND SEARCH ITEM # LISTED ON THIS PRINT

**MARITOO**

www.maritool.com

ITEM# **CAT40-SF.500-4.0**

Made In USA / Drawn By FM

1

2

3

4

5

6