

1

2

3

4

5

6

A

A

B

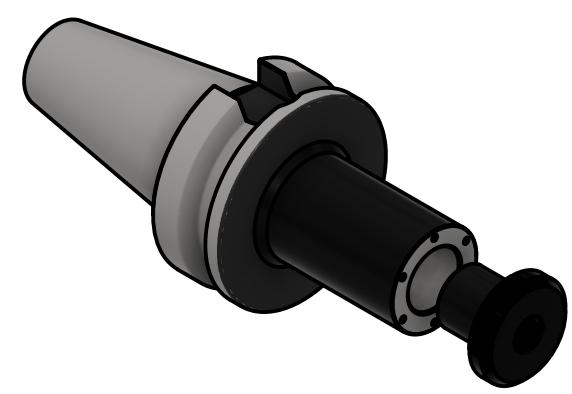
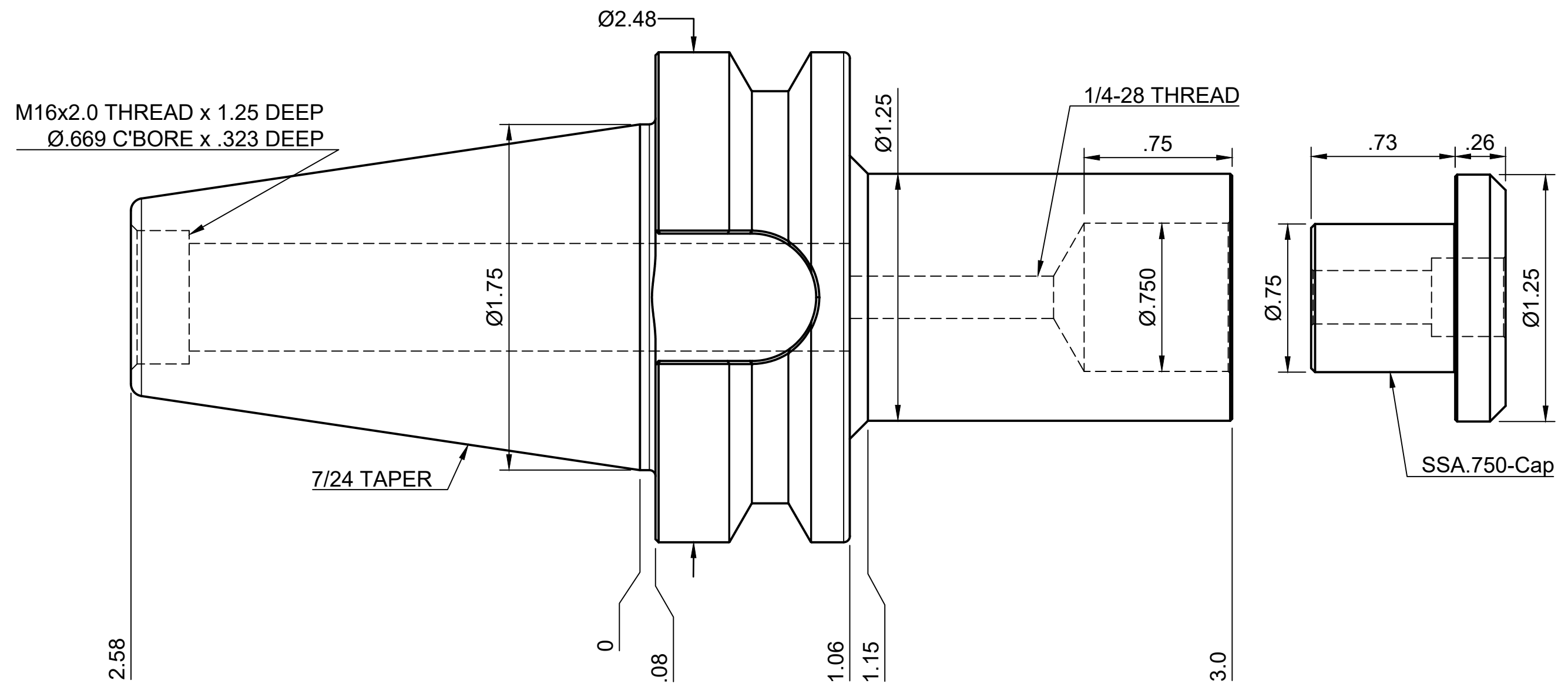
B

C

C

D

D



NOTES:  
 HOLDER USES LOCK SCREW 1/4-28 x 1-1/4 SHCS (INCLUDED)  
 ACCEPTS SAWS WITH Ø.750 ARBOR HOLE  
 FOR MORE PRODUCT DETAILS PLEASE GO TO MARITOO.COM  
 AND SEARCH ITEM # LISTED ON THIS PRINT

<b>MARITOOOL</b>	
www.maritool.com	
ITEM#	<b>BT40-SSA.750-3.0</b>
Made In USA / Drawn By FM	

1

2

3

4

5

6