

4 3 2 1

D

D

5/8-11 THREAD x 1-1/8 DEEP  
Ø.642 C'BORE x .300 DEEP

C

C

B

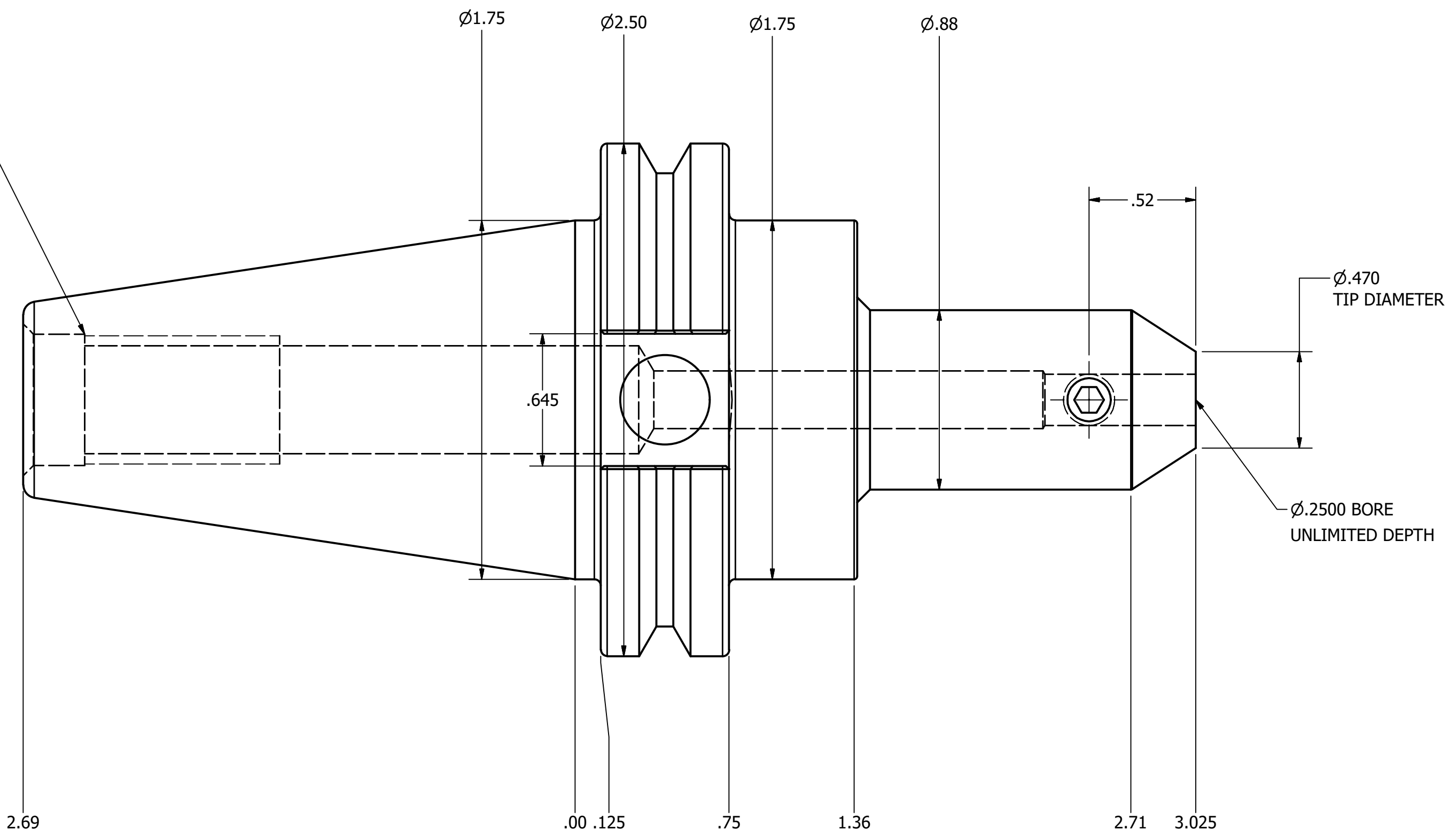
B

B

B

A

A



NOTES:  
 HOLDER USES 1/4-28 SET SCREW, PART #SS080  
 FOR MORE PRODUCT DETAILS PLEASE GO TO MARITool.COM  
 AND SEARCH ITEM # LISTED ON THIS PRINT

|                  |                         |
|------------------|-------------------------|
| <b>MARITool</b>  |                         |
| www.maritool.com |                         |
| ITEM#            | <b>CAT40-EM.250-3.0</b> |
| Made in USA      |                         |

4 3 2 1