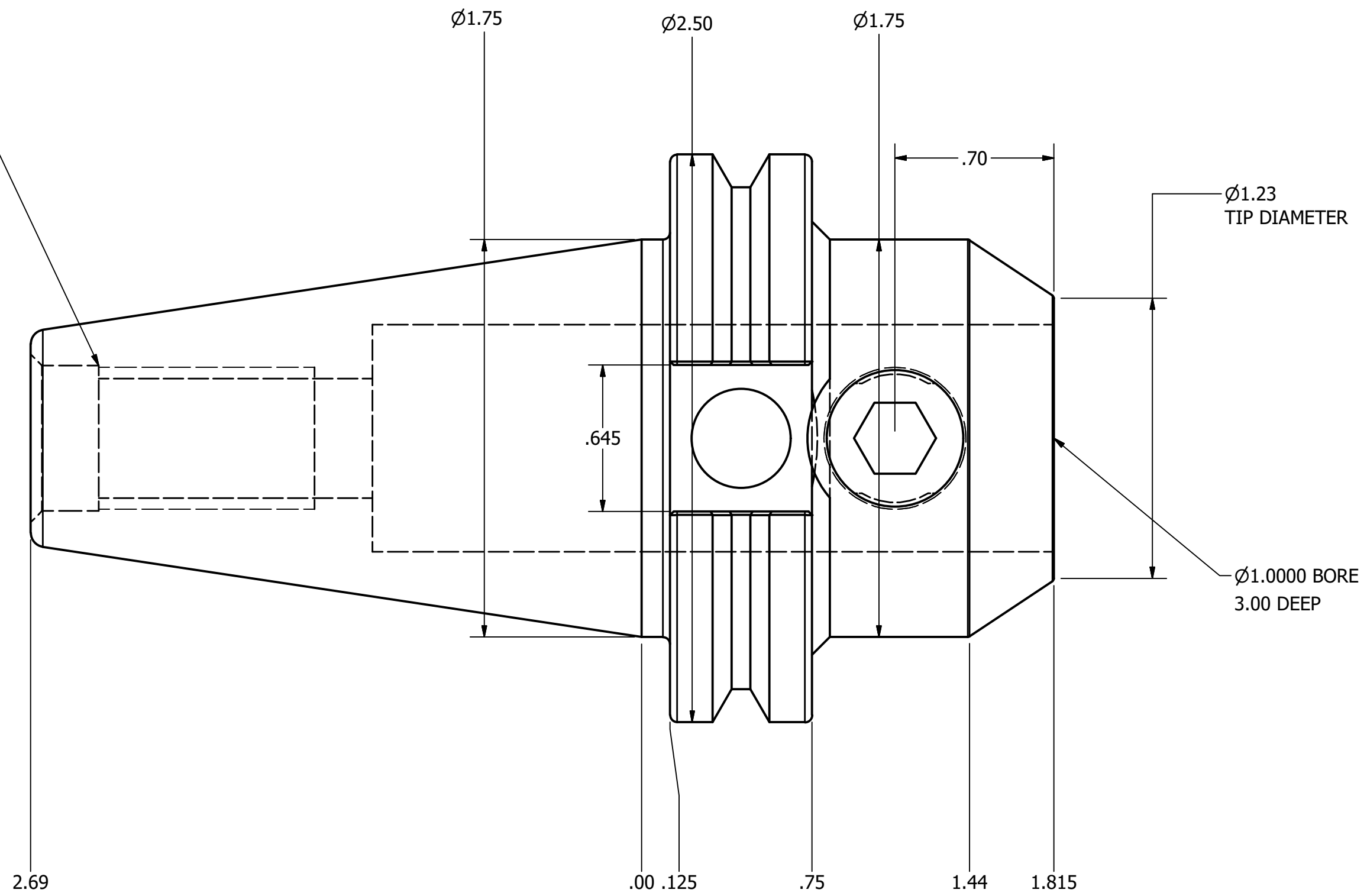


5/8-11 THREAD x 1-1/8 DEEP
Ø.642 C'BORE x .300 DEEP



NOTES:
HOLDER USES 5/8-18 SET SCREW, PART #SS300
FOR MORE PRODUCT DETAILS PLEASE GO TO MARITOO.COM
AND SEARCH ITEM # LISTED ON THIS PRINT

MARITOO

www.maritool.com

ITEM# **CAT40-EM1.0-1.75**

Made in USA