

1

2

3

4

5

6

A

A

B

B

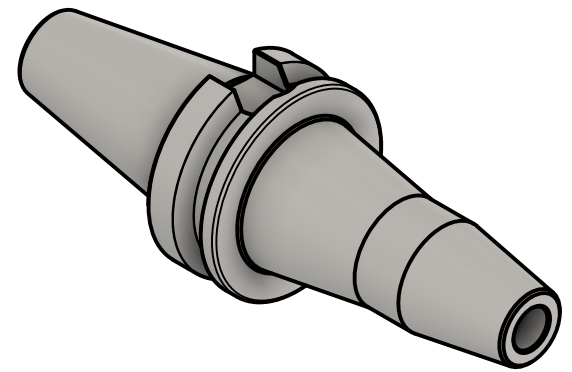
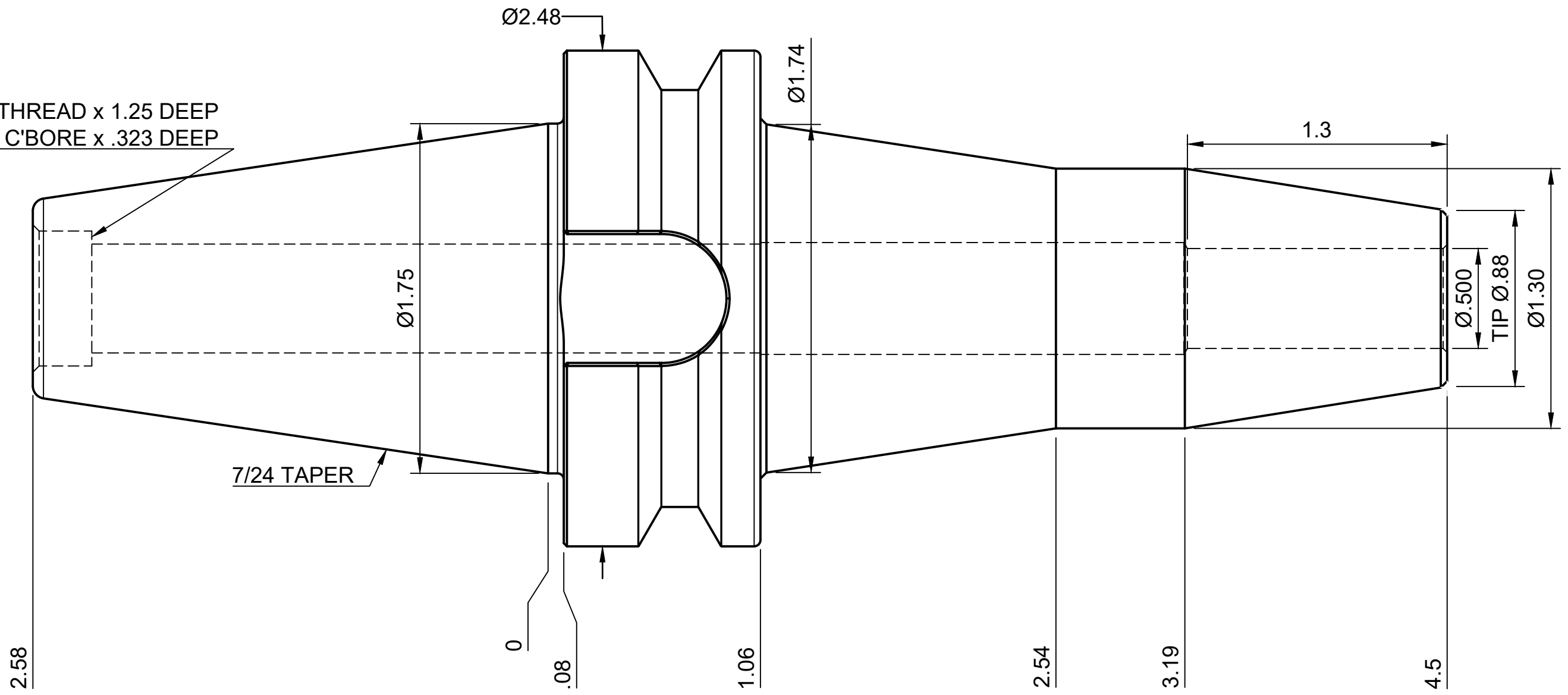
C

C

D

D

M16x2.0 THREAD x 1.25 DEEP
Ø.669 C'BORE x .323 DEEP



NOTES:
ACCEPTS 0.500 SHANK TOOLING
FOR MORE PRODUCT DETAILS PLEASE GO TO MARITOO.COM
AND SEARCH ITEM # LISTED ON THIS PRINT

MARITOO	
www.maritool.com	
ITEM#	BT40-SF.500-4.5T
Made In USA / Drawn By FM	

1

2

3

4

5

6