

5/8-11 THREAD x 1-1/8 DEEP
 Ø .642 C'BORE DIA .300 DEEP

Ø 1.75

Ø 2.50

M25x1.5 THREAD

ER20 COLLET NUT

Ø 1.32

.645

Ø 1.54

Ø 1.33

2.70

0

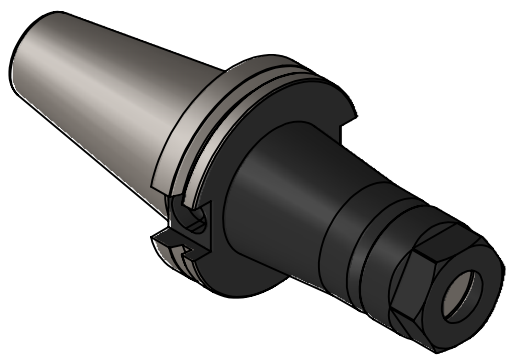
.125

.75

2.05

2.46

3.50



NOTES:
 WORKS ON ALL CAT40 MACHINES
 ACCEPTS ALL ER20 COLLETS
 USES WRENCH PART #ER20-WRENCH (NOT INCLUDED)
 FOR MORE PRODUCT DETAILS PLEASE GO TO MARITOO.COM
 AND SEARCH ITEM # LISTED ON THIS PRINT

MARITOO

WWW.MARITOO.COM

ITEM# **CAT40 ER20-3.5T**

Made in USA