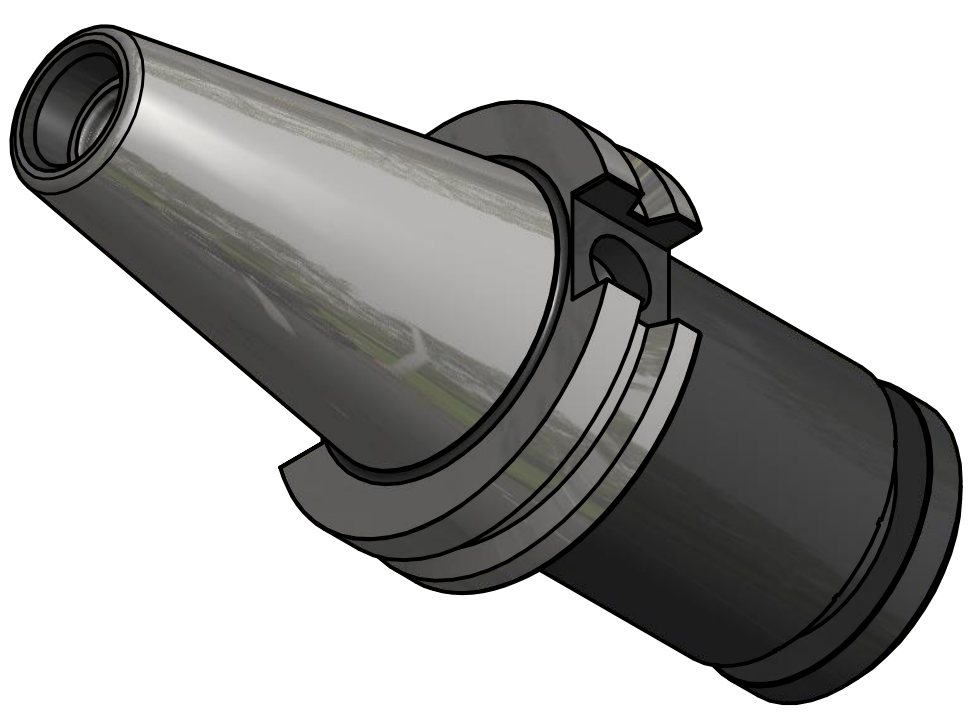
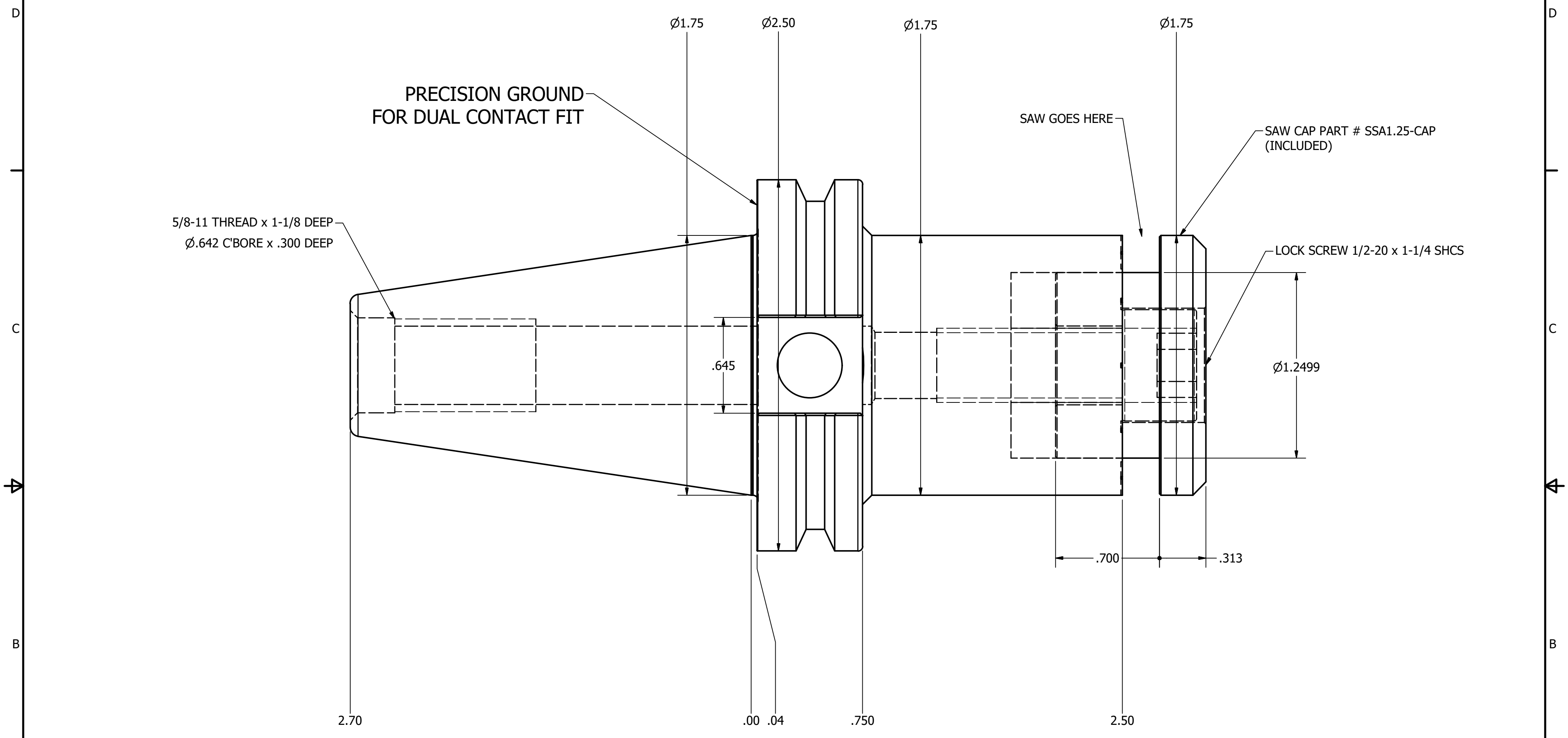


4 3 2 1



NOTES:  
 WORKS ON ALL CAT40 MACHINES WITH DUAL CONTACT SPINDLES  
 COMPATIBLE WITH BIG-PLUS® SPINDLES  
 HOLDER USES LOCK SCREW 1/2-20 x 1-1/4 SHCS (INCLUDED)  
 SAW CAP IS .3125 THICK AND 1.2499 DIAMETER BOSS IS .700 LONG  
 FOR MORE PRODUCT DETAILS PLEASE GO TO MARITOO.COM  
 AND SEARCH ITEM # LISTED ON THIS PRINT

<b>MARITOO</b>	
<a href="http://www.maritool.com">www.maritool.com</a>	
ITEM#	<b>CAT40-SSA1.25-2.5D</b>
Made in USA	

4 3 2 1