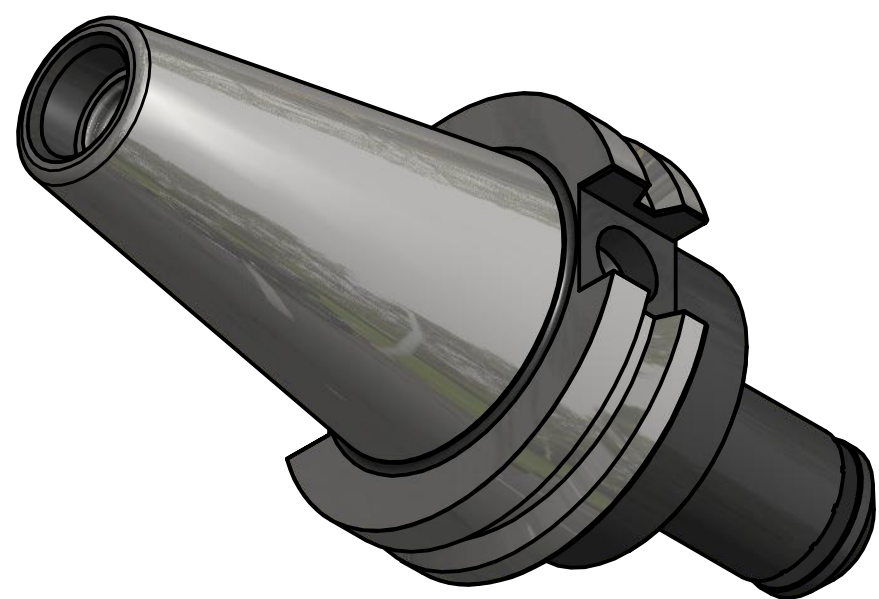
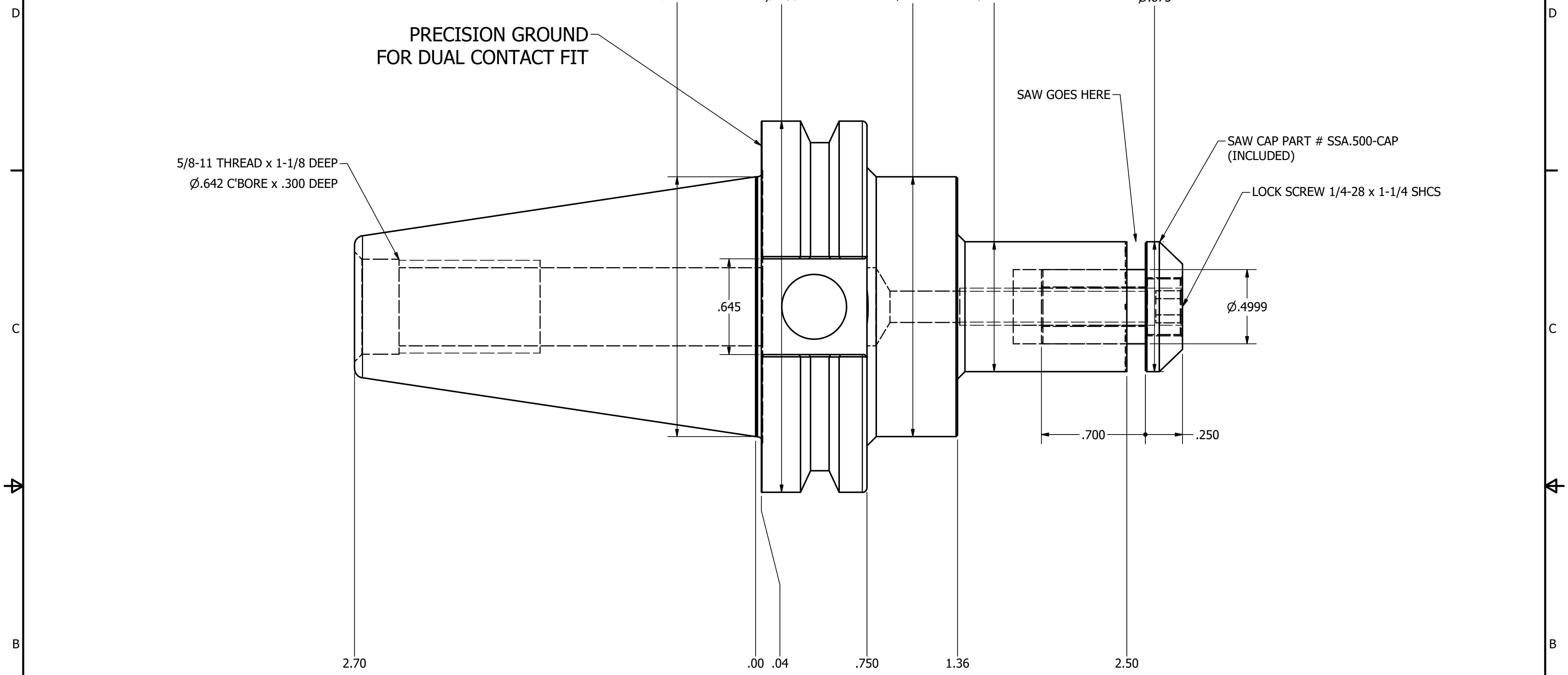


4 3 2 1



NOTES:  
 WORKS ON ALL CAT40 MACHINES WITH DUAL CONTACT SPINDLES  
 COMPATIBLE WITH BIG-PLUS® SPINDLES  
 HOLDER USES LOCK SCREW 1/4-28 x 1-1/4 SHCS (INCLUDED)  
 SAW CAP IS 1/4 THICK AND .4999 DIAMETER BOSS IS .700 LONG  
 FOR MORE PRODUCT DETAILS PLEASE GO TO MARITool.COM  
 AND SEARCH ITEM # LISTED ON THIS PRINT

<b>MARITool</b>	
www.maritool.com	
ITEM#	<b>CAT40-SSA.50-2.5D</b>
Made in USA	

4 3 2 1