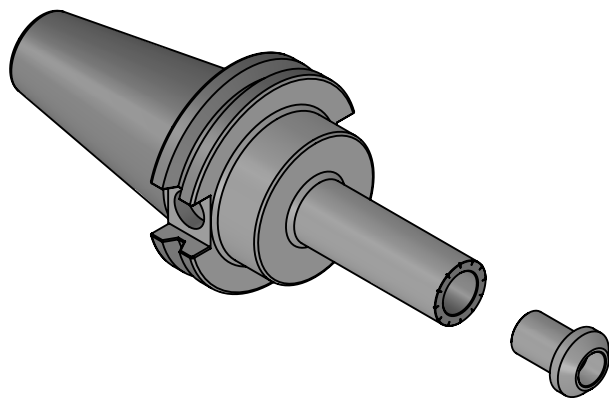
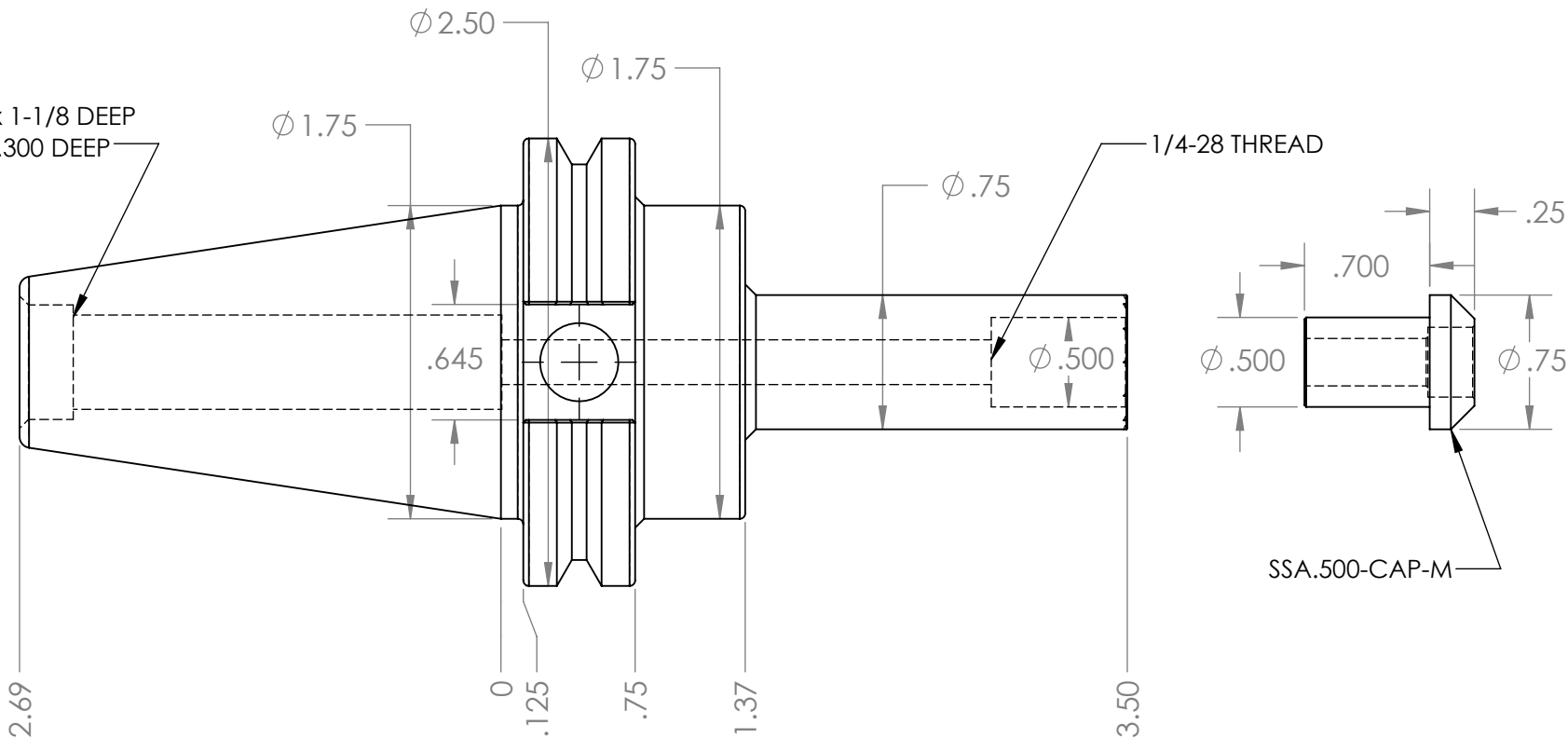


5/8-11 THREAD x 1-1/8 DEEP
Ø.642 C'BORE x .300 DEEP



NOTES:
ACCEPTS SAWS WITH .500 ARBOR HOLE
FOR MORE PRODUCT DETAILS PLEASE GO TO MARITOO.COM
AND SEARCH ITEM # LISTED ON THIS PRINT

MARITOO

WWW.MARITOO.COM

ITEM# **CAT40-SSA.500-3.5M**

Made in USA