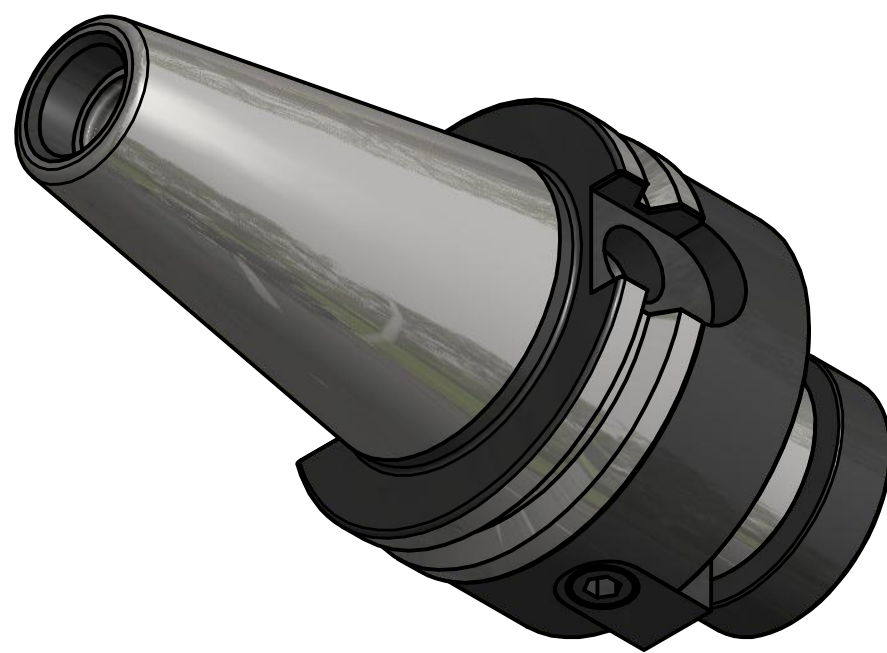
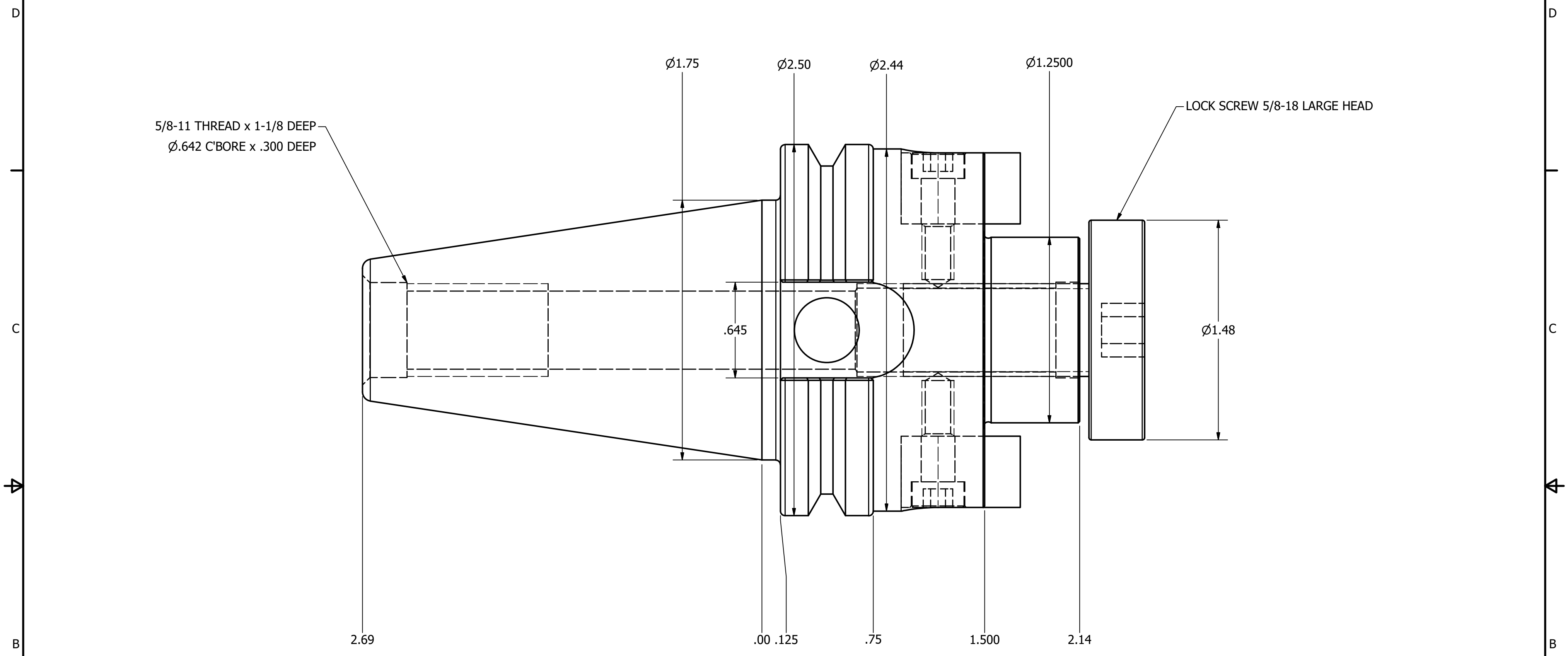


4 3 2 1



NOTES:
 HOLDER USES LOCK SCREW 5/8-18 LARGE HEAD
 AND STANDARD 5/8-18 x 1.25 SHCS (INCLUDED)
 FOR MORE PRODUCT DETAILS PLEASE GO TO MARITOO.COM
 AND SEARCH ITEM # LISTED ON THIS PRINT

MARITOO	
www.maritool.com	
ITEM#	CAT40-FMA1.25-1.5
Made in USA	

4 3 2 1