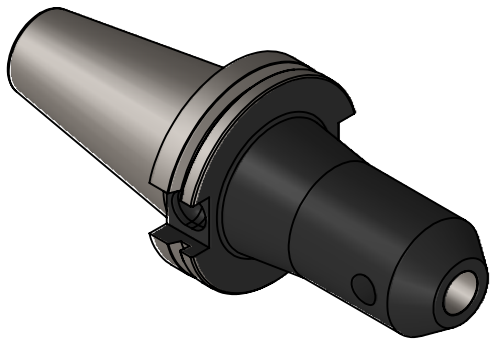
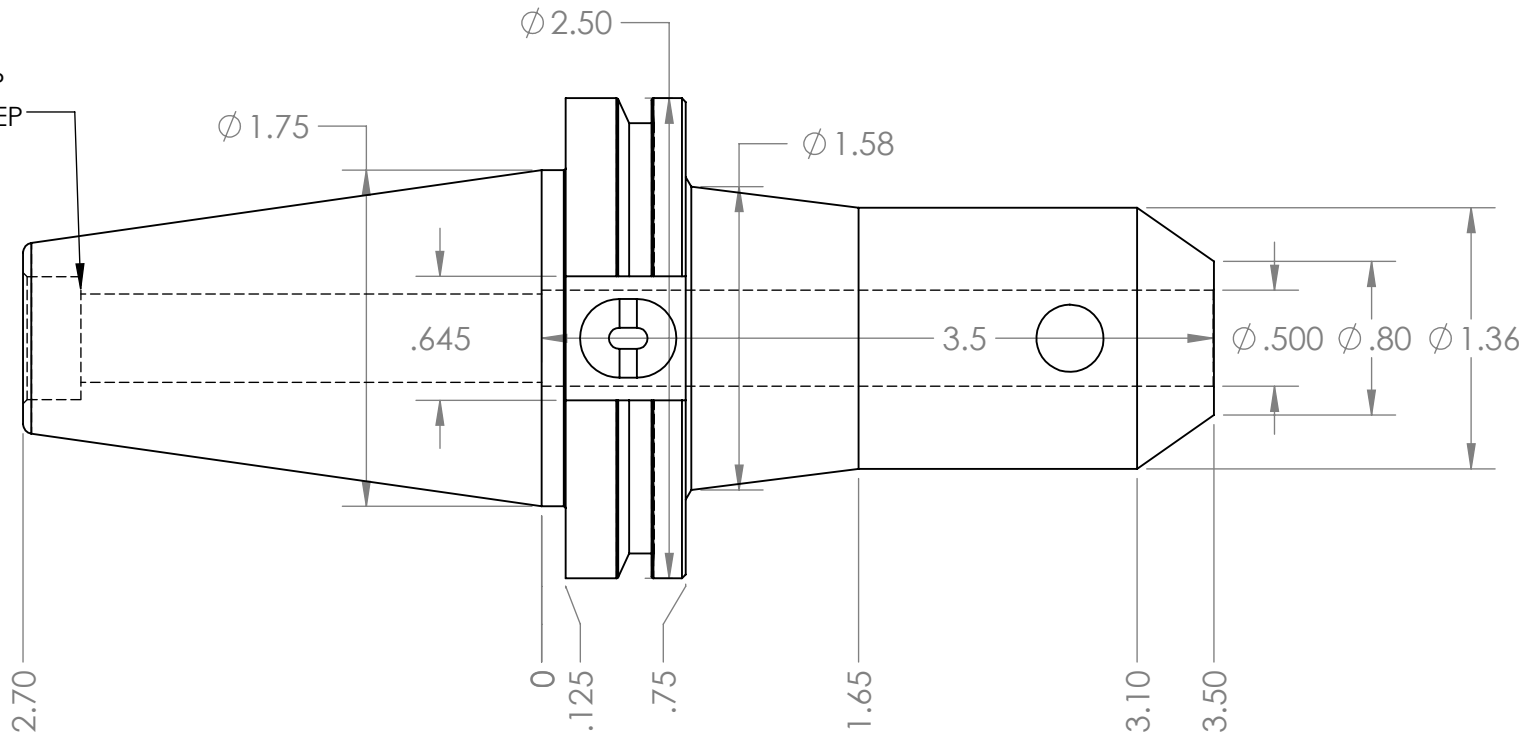


5/8-11 THREAD x 1-1/8 DEEP
 Ø .642 C'BORE DIA .300 DEEP



NOTES:
 HOLDER USES 7/16 - 20 SET SCREW, PART #SS160
 WORKS ON ALL CAT40 MACHINES
 ACCEPTS .500 SHANK TOOLING
 FOR MORE PRODUCT DETAILS PLEASE GO TO MARITOO.COM
 AND SEARCH ITEM # LISTED ON THIS PRINT

MARITOO

WWW.MARITOO.COM

ITEM# **CAT40 EM .500-3.5T**

Made in USA