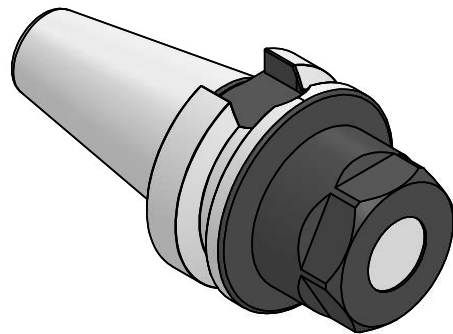
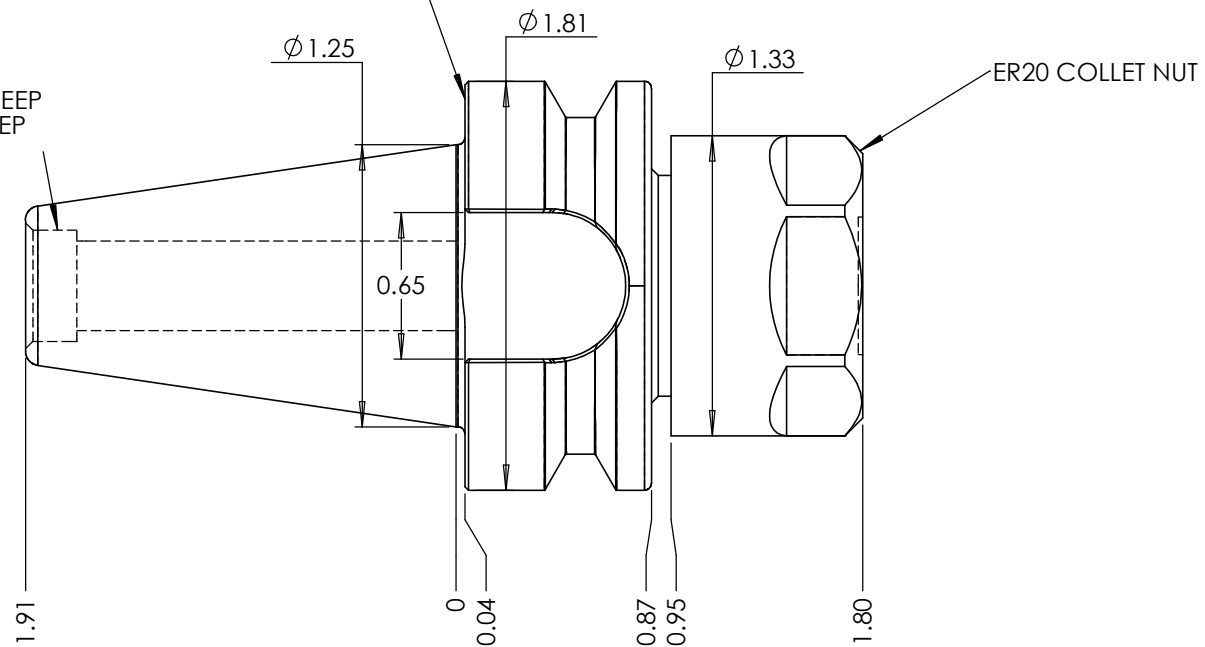


M12x1.75 THREAD x 1.00 DEEP
C'BORE DIA .492 x .236 DEEP

PRECISION GROUND
FOR DUAL CONTACT FIT



NOTES:
WORKS ON ALL BT30 MACHINES WITH DUAL CONTACT SPINDLES
COMPATIBLE WITH BIG-PLUS® SPINDLES
TAKES ALL ER20 COLLETS FROM .024"-.5625"
USES WRENCH PART #ER20-WRENCH (NOT INCLUDED)
FOR MORE PRODUCT DETAILS PLEASE GO TO MARITOO.COM
AND SEARCH ITEM # LISTED ON THIS PRINT

MARITOO

WWW.MARITOO.COM

ITEM# **BT30 ER20-45D**

Made in USA