

1

2

3

4

5

6

A

A

B

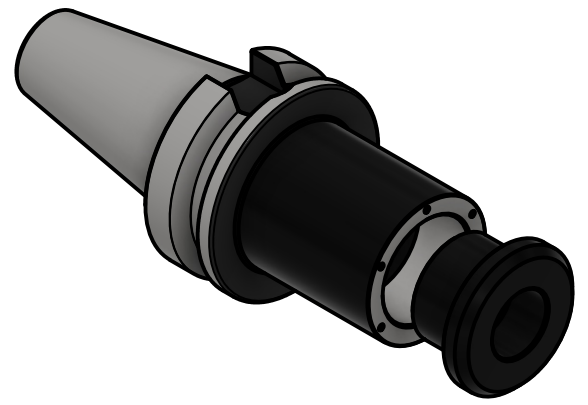
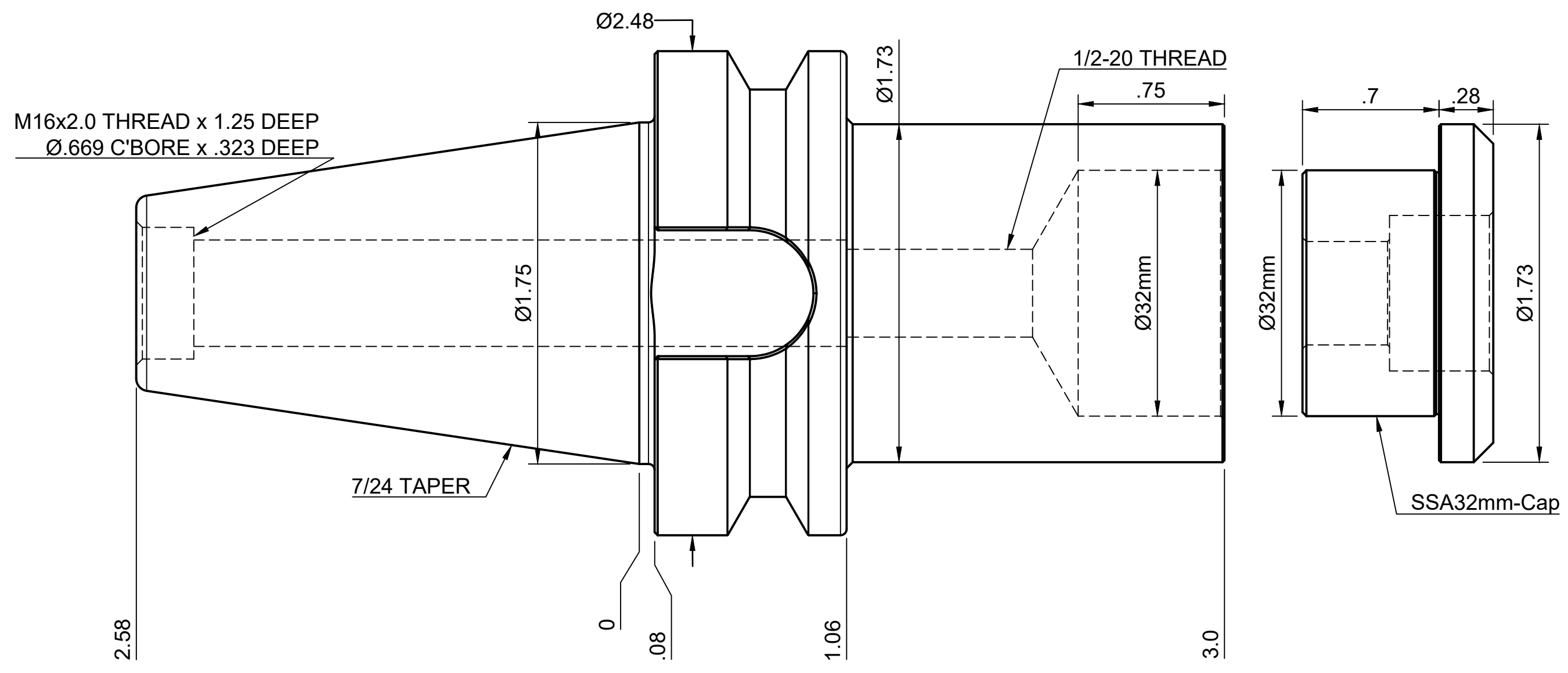
B

C

C

D

D



NOTES:
 HOLDER USES LOCK SCREW 1/2-20 x 1-1/4 SHCS (INCLUDED)
 ACCEPTS SAWS WITH Ø32mm ARBOR HOLE
 FOR MORE PRODUCT DETAILS PLEASE GO TO MARITool.COM
 AND SEARCH ITEM # LISTED ON THIS PRINT

MARITool	
www.maritool.com	
ITEM#	BT40-SSA32-3.0
Made In USA / Drawn By FM	

1

2

3

4

5

6