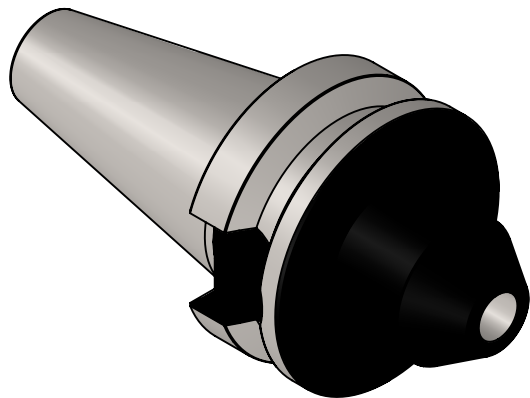
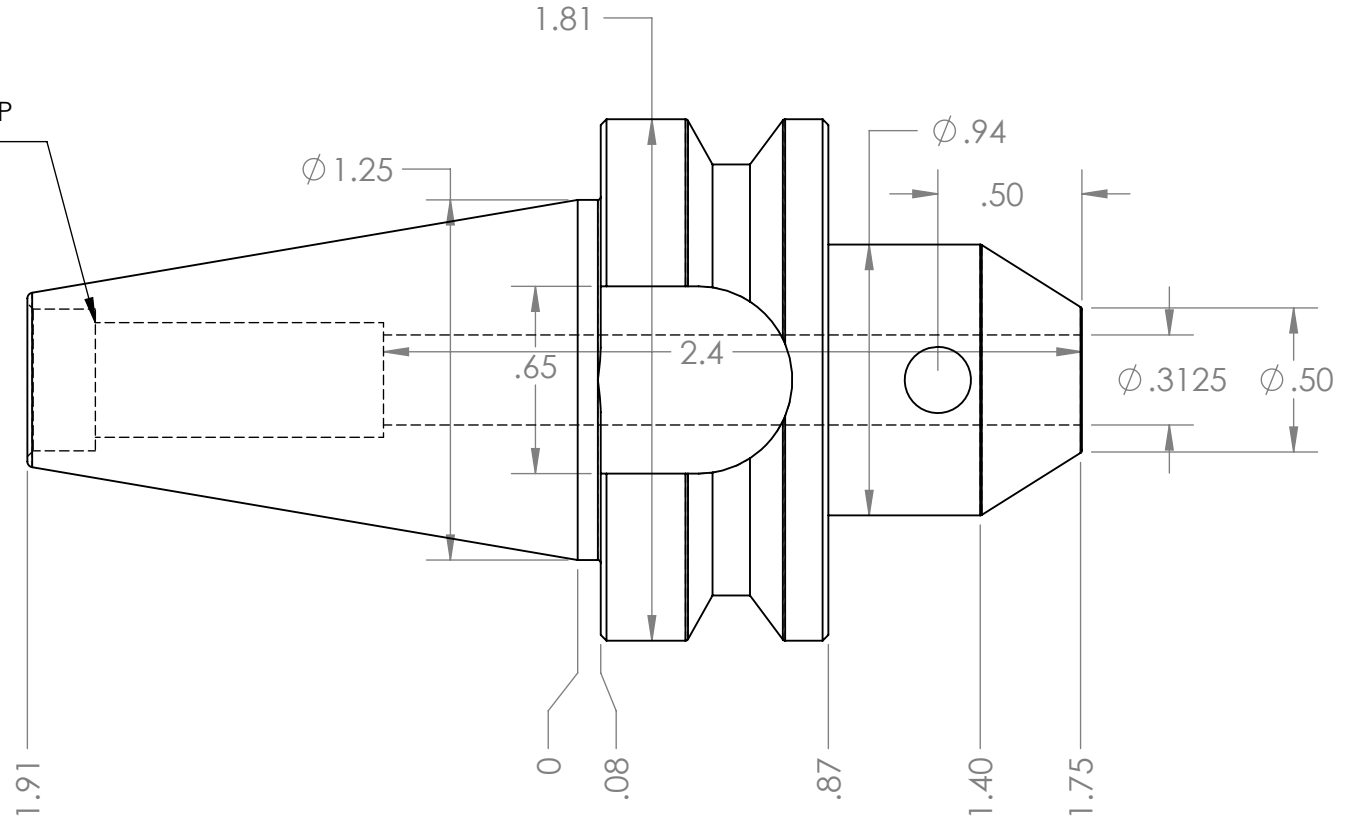


M12x1.75 THREAD x 1.00 DEEP
 C'BORE DIA .492 x .236 DEEP



NOTES:
 HOLDER USES 1/4 - 28 SET SCREW, PART #SS090
 ACCEPTS .3125 SHANK TOOLING
 FOR MORE PRODUCT DETAILS PLEASE GO TO MARITOO.COM
 AND SEARCH ITEM # LISTED ON THIS PRINT

MARITOO

WWW.MARITOO.COM

ITEM# **BT30 EM.3125-1.75**

Made in USA